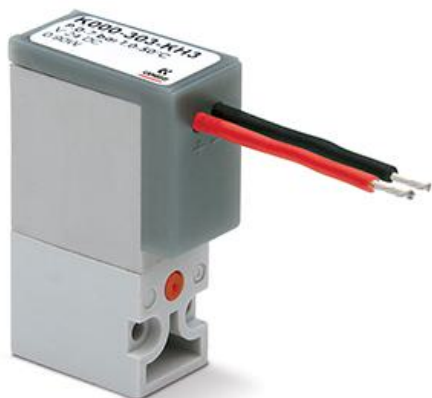


Direct acting solenoid valves (with cables) - Series K

Product code: K000-403-FH2

Datasheet creation date: 10/03/2025 11:28

Check the most updated document online [click here](#)

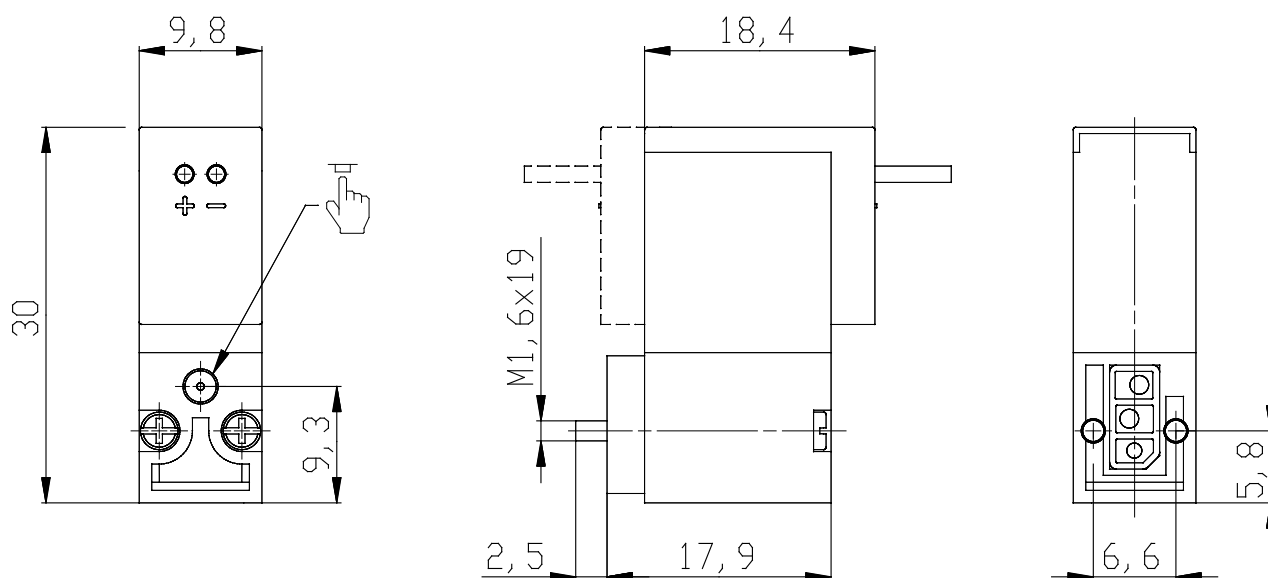


TECHNICAL DATA

Series	K000
Number of ways - functions	4 = 3/2 vie - NO
Thread port	0 = manifold or single base
Orifice diameter	3 = Ø 0.6 mm - 3/2 version
Materials	F = PBT body - FKM poppet seal
Electrical connection	H = 300 mm flying leads
Voltage - power consumption	2 = 12 V DC - 1 W
Fixing	= fixing screws for plastic
Options	= standard

Direct acting solenoid valves (with cables) - Series K

Product code: K000-403-FH2



DIMENSIONS

Series	K000
Number of ways - functions	4 = 3/2 vie - NO
Thread port	0 = manifold or single base
Orifice diameter	3 = Ø 0.6 mm - 3/2 version
Materials	F = PBT body - FKM poppet seal
Electrical connection	H = 300 mm flying leads
Voltage - power consumption	2 = 12 V DC - 1 W
Fixing	= fixing screws for plastic
Options	= standard