

Direct acting solenoid valve (90° connection) - Series K

Product code: K000-403-K23

Datasheet creation date: 10/03/2025 11:30

Check the most updated document online [click here](#)

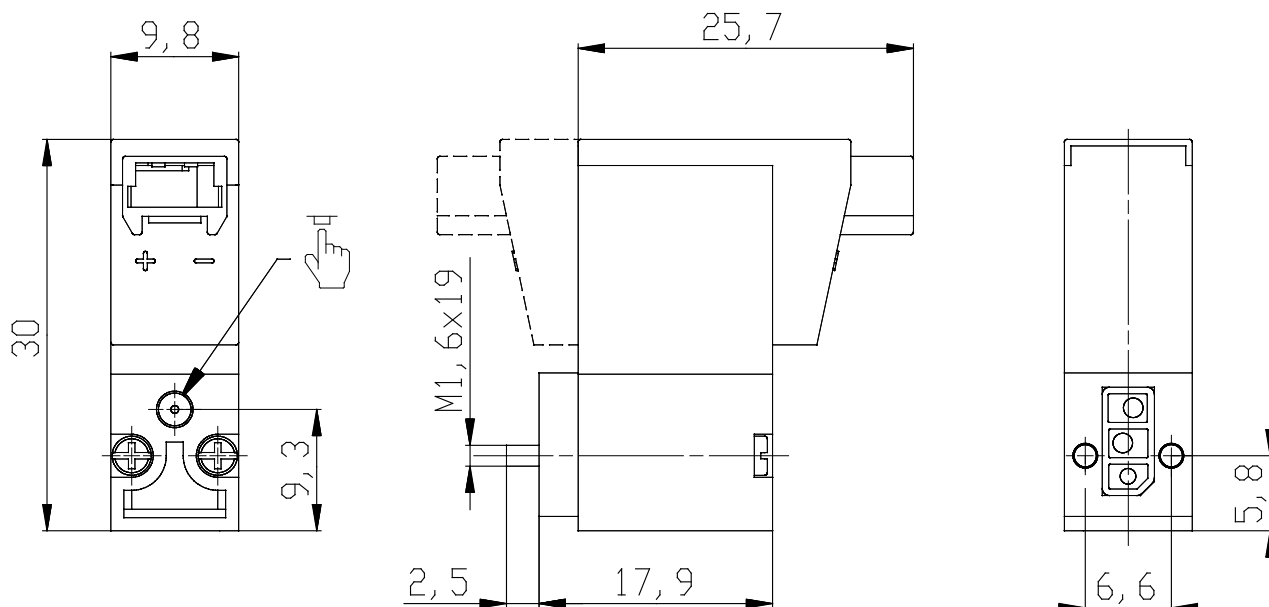


TECHNICAL DATA

| | |
|------------------------------------|---|
| Series | K000 |
| Number of ways - functions | 4 = 3/2 vie - NO |
| Thread port | 0 = manifold or single base |
| Orifice diameter | 3 = Ø 0.6 mm - 3/2 version |
| Materials | K = PBT body - HNBR poppet seal (only for 3/2-way versions) |
| Electrical connection | 2 = 90° connection with protection |
| Voltage - power consumption | 3 = 24 V DC - 1 W |
| Fixing | = fixing screws for plastic |
| Options | = standard |

Direct acting solenoid valve (90° connection) - Series K

Product code: K000-403-K23



DIMENSIONS

| | |
|------------------------------------|---|
| Series | K000 |
| Number of ways - functions | 4 = 3/2 vie - NO |
| Thread port | 0 = manifold or single base |
| Orifice diameter | 3 = Ø 0.6 mm - 3/2 version |
| Materials | K = PBT body - HNBR poppet seal (only for 3/2-way versions) |
| Electrical connection | 2 = 90° connection with protection |
| Voltage - power consumption | 3 = 24 V DC - 1 W |
| Fixing | = fixing screws for plastic |
| Options | = standard |