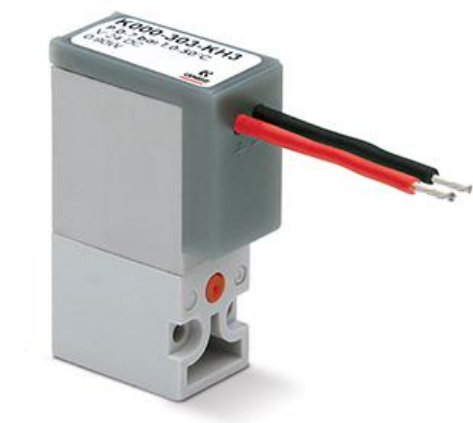


Direct acting solenoid valves (with cables) - Series K

Product code: K000-403-KG1M

Datasheet creation date: 10/03/2025 11:28

Check the most updated document online [click here](#)

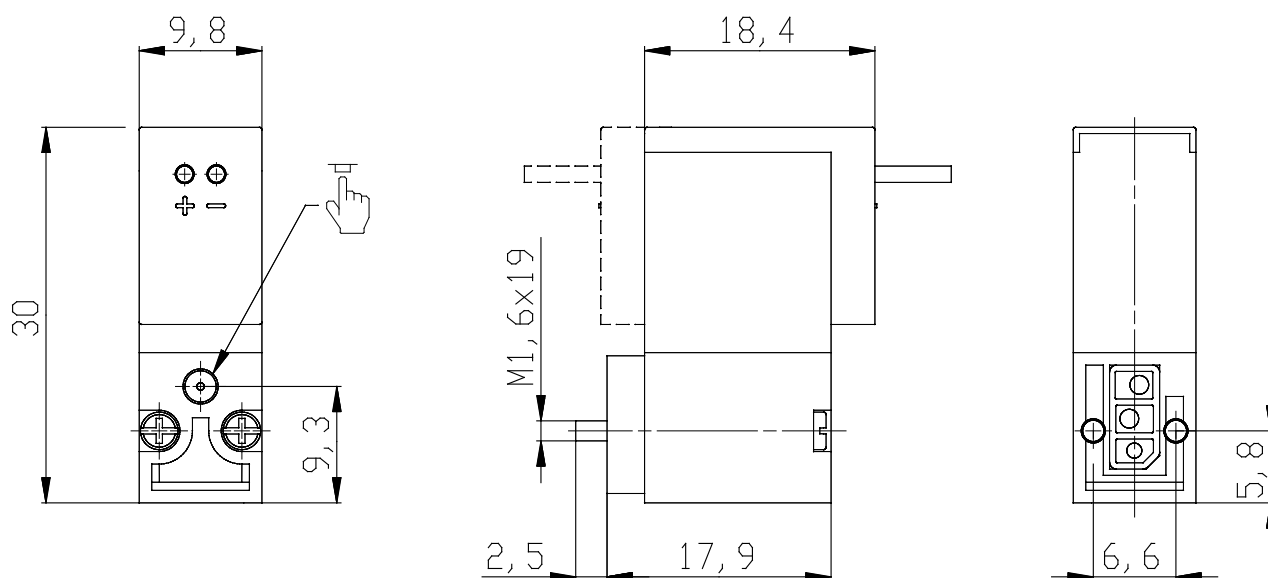


TECHNICAL DATA

| | |
|------------------------------------|---|
| Series | K000 |
| Number of ways - functions | 4 = 3/2 vie - NO |
| Thread port | 0 = manifold or single base |
| Orifice diameter | 3 = Ø 0.6 mm - 3/2 version |
| Materials | K = PBT body - HNBR poppet seal (only for 3/2-way versions) |
| Electrical connection | B |
| Voltage - power consumption | 1 = 6 V DC - 1 W |
| Fixing | M = fixing screws for metal |
| Options | = standard |

Direct acting solenoid valves (with cables) - Series K

Product code: K000-403-KG1M



DIMENSIONS

| | |
|------------------------------------|---|
| Series | K000 |
| Number of ways - functions | 4 = 3/2 vie - NO |
| Thread port | 0 = manifold or single base |
| Orifice diameter | 3 = Ø 0.6 mm - 3/2 version |
| Materials | K = PBT body - HNBR poppet seal (only for 3/2-way versions) |
| Electrical connection | B |
| Voltage - power consumption | 1 = 6 V DC - 1 W |
| Fixing | M = fixing screws for metal |
| Options | = standard |