

Excluder cap - Series K

Product code: K000-TP

Datasheet creation date: 07/03/2025 16:14

Check the most updated document online [click here](#)

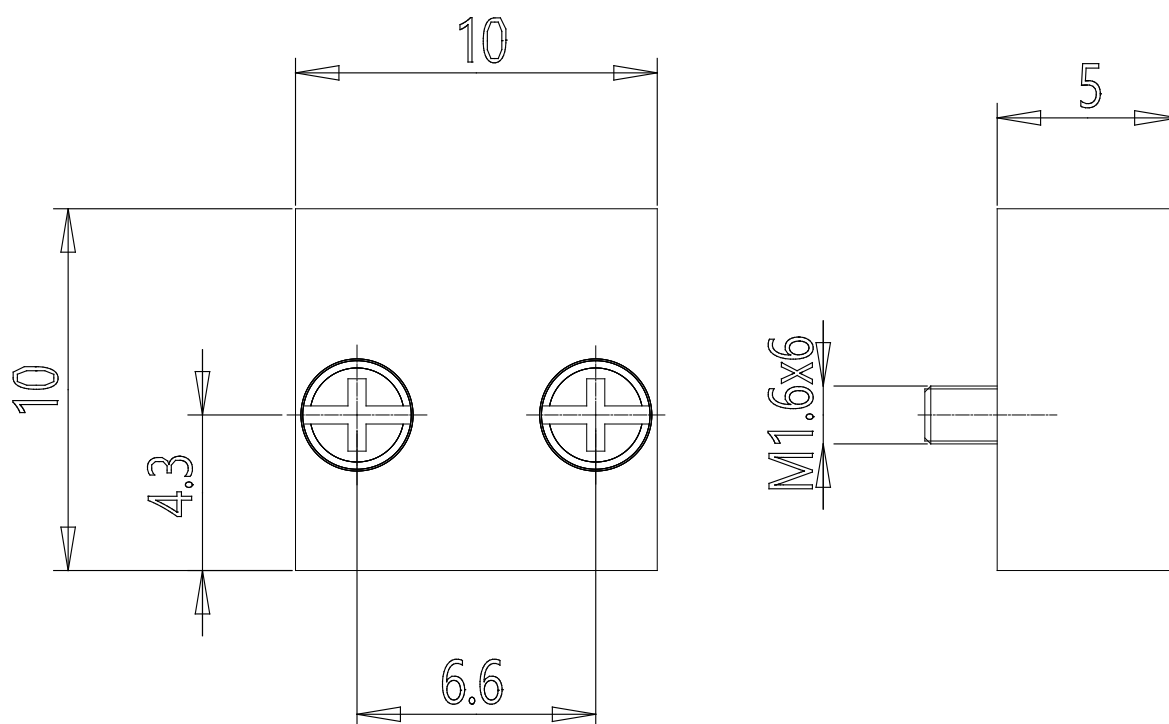


TECHNICAL DATA

Mod.	K000-TP
------	---------

Excluder cap - Series K

Product code: K000-TP



DIMENSIONS

Mod.	K000-TP
------	---------