

## Direct acting solenoid valves - Series K8

Product code: K8000-606-K21

Datasheet creation date: 10/03/2025 11:47

Check the most updated document online [click here](#)

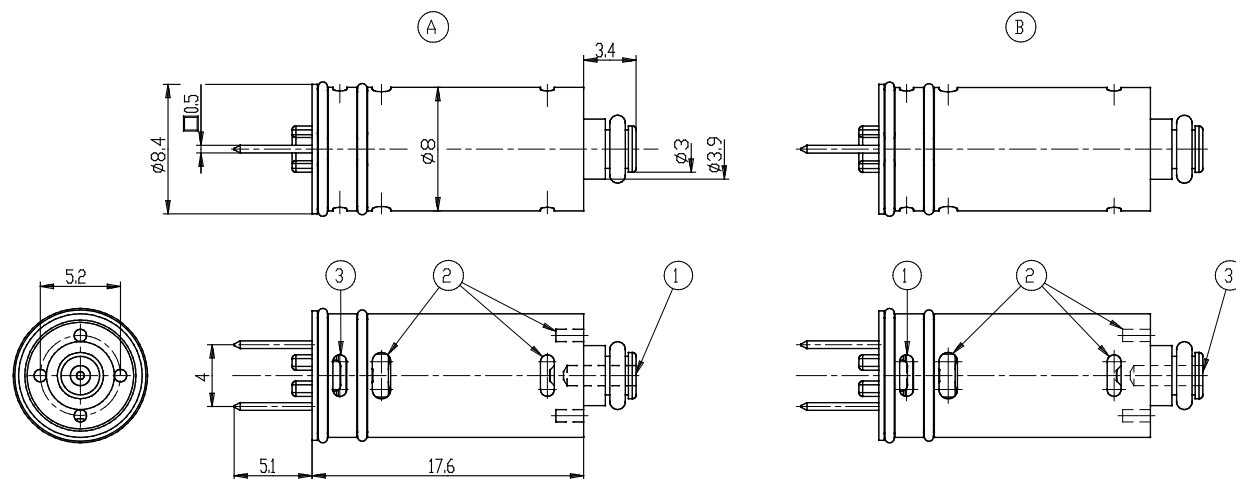


### TECHNICAL DATA

<b>Series</b>	K8
<b>Body design</b>	0 = single valve
<b>Body design</b>	00 = Valve without seat
<b>Fixing</b>	None
<b>Number of ways - Function</b>	6 = 2/2 way - NO
<b>Sealing material</b>	0 = poppet, FKM seals
<b>Orifice diameter</b>	6 = Ø 0.5 mm (max pressure 4 bar)
<b>Materials</b>	K= brass orifice
<b>Electric connection</b>	2 = pins - 4 mm pitch
<b>Voltage - Power consumption</b>	1 = 6 V DC - 0.6W
<b>Options</b>	= standard

## Direct acting solenoid valves - Series K8

Product code: K8000-606-K21



1 = ALIMENTAZIONE / INLET  
2 = UTILIZZO / OUTLET  
3 = SCARICO / EXHAUST  
A = VERSIONE 3/2 NC  
B = VERSIONE 3/2 NA

### DIMENSIONS

<b>Series</b>	K8
<b>Body design</b>	0 = single valve
<b>Body design</b>	00 = Valve without seat
<b>Fixing</b>	None
<b>Number of ways - Function</b>	6 = 2/2 way - NO
<b>Sealing material</b>	0 = poppet, FKM seals
<b>Orifice diameter</b>	6 = Ø 0.5 mm (max pressure 4 bar)
<b>Materials</b>	K= brass orifice
<b>Electric connection</b>	2 = pins - 4 mm pitch
<b>Voltage - Power consumption</b>	1 = 6 V DC - 0.6W
<b>Options</b>	= standard