

Single subbase for interface version - Series K8DV

Product code: K8DV0001-1/4

Datasheet creation date: 10/03/2025 10:46

Check the most updated document online [click here](#)

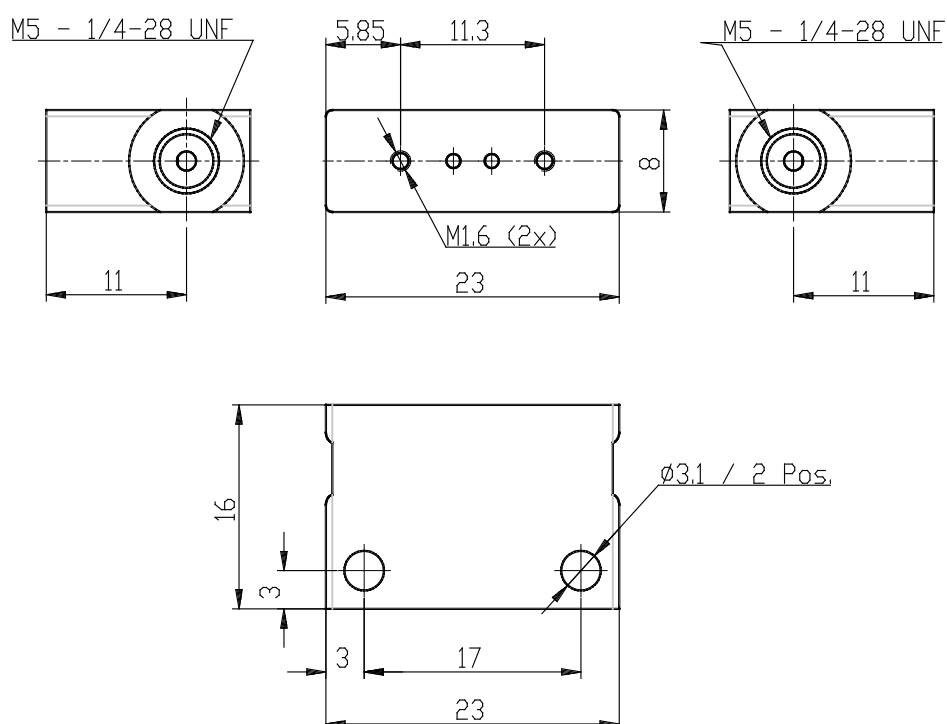


TECHNICAL DATA

Mod.	K8DV0001-1/4
------	--------------

Single subbase for interface version - Series K8DV

Product code: K8DV0001-1/4



DIMENSIONS

A	1/4-28 UNF
---	------------