

## Directly operated mini-solenoid membrane valves cartridge vers. - Series K8DV

Product code: K8DVC00-545-G23

Datasheet creation date: 10/03/2025 11:47

Check the most updated document online [click here](#)

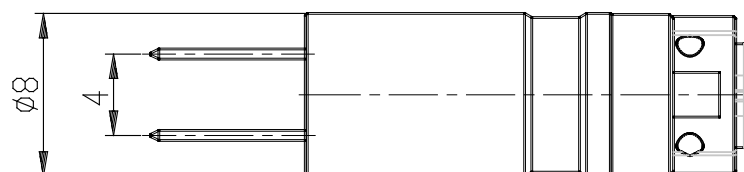
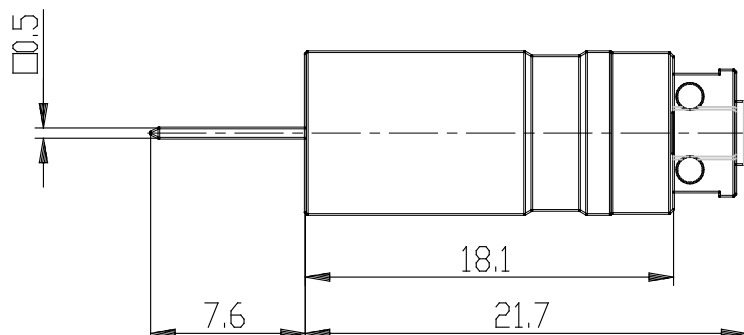
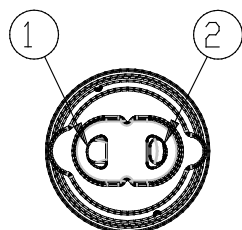


### TECHNICAL DATA

<b>Series</b>	K8DV
<b>Body design</b>	C= Cartridge vers.
<b>Number of positions</b>	00 = Valve without seat
<b>Number of ways - Function</b>	5= 2 vie N.C.
<b>Materials and Construction</b>	4 = EPDM
<b>Nominal diameter</b>	5= Ø 0.7mm
<b>Materials</b>	G= PEEK body
<b>Type of connection</b>	2 = 4mm pitch pin interface
<b>Solenoid voltage</b>	3 = 24V DC (0,6 W)
<b>Option</b>	= standard

## Directly operated mini-solenoid membrane valves cartridge vers. - Series K8DV

Product code: K8DVC00-545-G23



### DIMENSIONS

<b>Series</b>	K8DV
<b>Body design</b>	C= Cartridge vers.
<b>Number of positions</b>	00 = Valve without seat
<b>Number of ways - Function</b>	5= 2 vie N.C.
<b>Materials and Construction</b>	4 = EPDM
<b>Nominal diameter</b>	5= Ø 0.7mm
<b>Materials</b>	G= PEEK body
<b>Type of connection</b>	2 = 4mm pitch pin interface
<b>Solenoid voltage</b>	3 = 24V DC (0,6 W)
<b>Option</b>	= standard