

## Electronic proportional micro regulator - Series K8P

Product code: K8P-0-B532-0

Datasheet creation date: 10/03/2025 10:40

Check the most updated document online [click here](#)

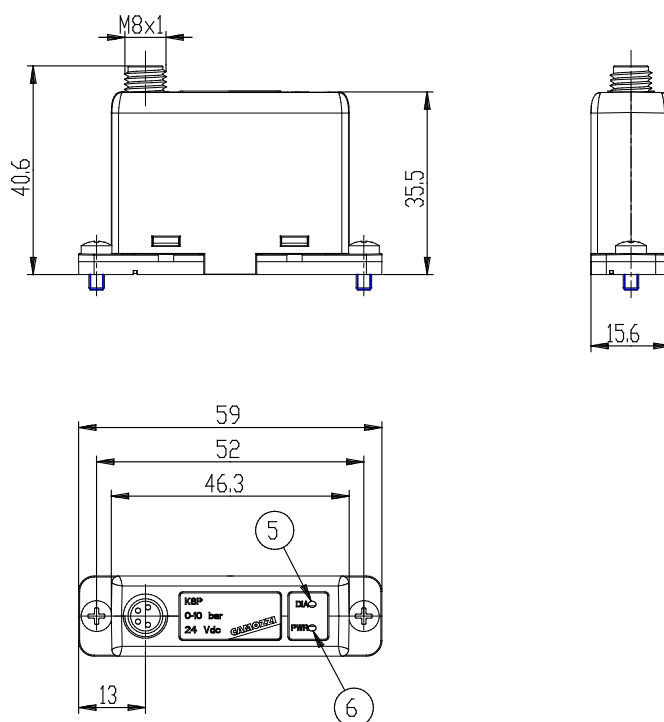


### TECHNICAL DATA

<b>Series</b>	K8P
<b>Body design</b>	0 = Stand alone
<b>Working pressure (mm)</b>	B = 0-1 bar
<b>Valve functions (mm)</b>	5= 2 ways NC
<b>COMMAND</b>	3= 4-20 mA
<b>Output signal (mm)</b>	2= 0-10 V
<b>Cable length (mm)</b>	0 = without cable

## Electronic proportional micro regulator - Series K8P

Product code: K8P-0-B532-0



### DIMENSIONS

<b>Series</b>	K8P
<b>Body design</b>	0 = Stand alone
<b>Working pressure (mm)</b>	B = 0-1 bar
<b>Valve functions (mm)</b>	5= 2 ways NC
<b>COMMAND</b>	3= 4-20 mA
<b>Output signal (mm)</b>	2= 0-10 V
<b>Cable length (mm)</b>	0 = without cable