

Standard Sub-base - Series K8P

Product code: K8P-AS

Datasheet creation date: 10/03/2025 10:55

Check the most updated document online [click here](#)

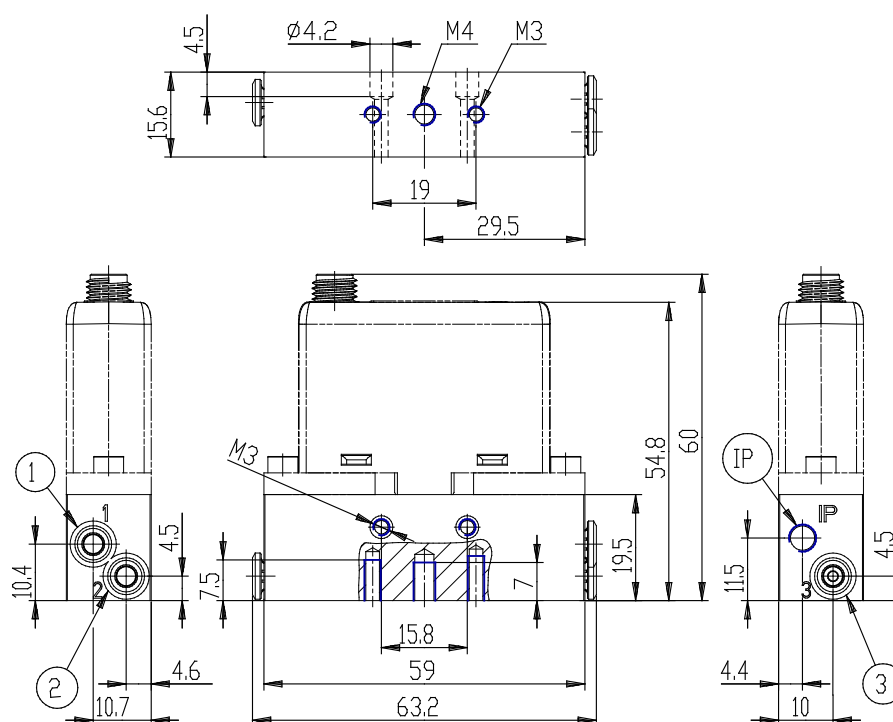


■ TECHNICAL DATA

(mm)	K8P-AS
------	--------

Standard Sub-base - Series K8P

Product code: K8P-AS



DIMENSIONS

(mm)	K8P-AS
------	--------