

- Screws for accessories - Solenoid valves and valves - Series E

Product code: K8P-B1

Datasheet creation date: 10/03/2025 10:55

Check the most updated document online [click here](#)

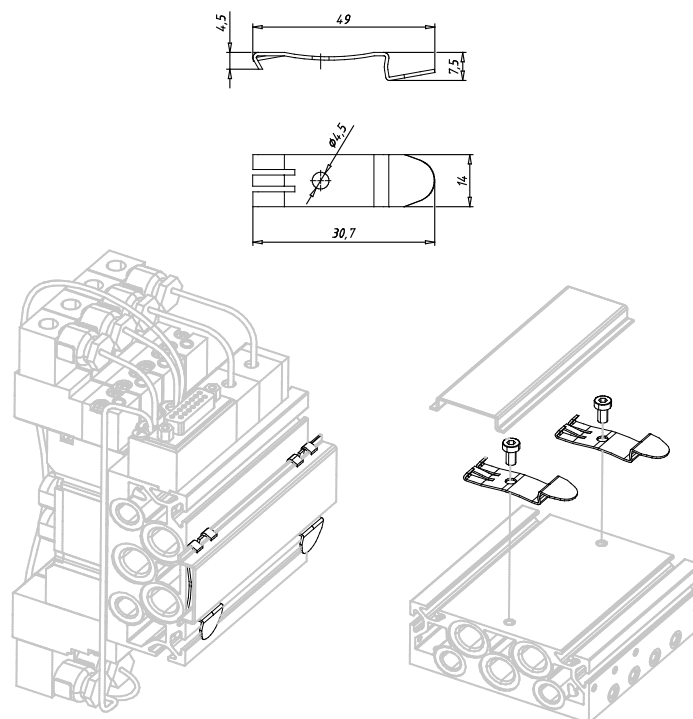


TECHNICAL DATA

Mod.	K8P-B1
Size	-
Thread (mm)	3
L (mm)	8
K Lugs (mm)	2.4

- Screws for accessories - Solenoid valves and valves - Series E

Product code: K8P-B1



■ DIMENSIONS

Mod.	K8P-B1
Size	-
Thread (mm)	3
L (mm)	8
K Lugs (mm)	2.4