

Electronic proportional micro regulator - Series K8P

Product code: K8P-L-B532-0

Datasheet creation date: 10/03/2025 10:39

Check the most updated document online [click here](#)

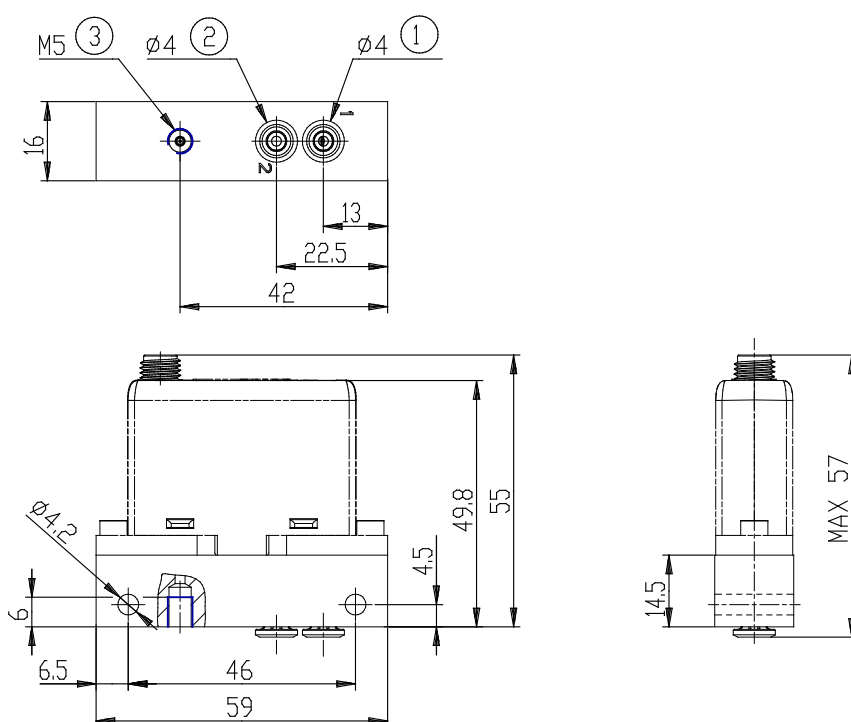


TECHNICAL DATA

Series	K8P
Body design	L = Light Sub-base
Working pressure (mm)	B = 0-1 bar
Valve functions (mm)	5= 2 ways NC
COMMAND	3= 4-20 mA
Output signal (mm)	2= 0-10 V
Cable length (mm)	0 = without cable

Electronic proportional micro regulator - Series K8P

Product code: K8P-L-B532-0



DIMENSIONS

Series	K8P
Body design	L = Light Sub-base
Working pressure (mm)	B = 0-1 bar
Valve functions (mm)	5= 2 ways NC
COMMAND	3= 4-20 mA
Output signal (mm)	2= 0-10 V
Cable length (mm)	0 = without cable