

Electronic proportional micro regulator - Series K8P

Product code: K8P-S-B532-0

Datasheet creation date: 10/03/2025 10:39

Check the most updated document online [click here](#)

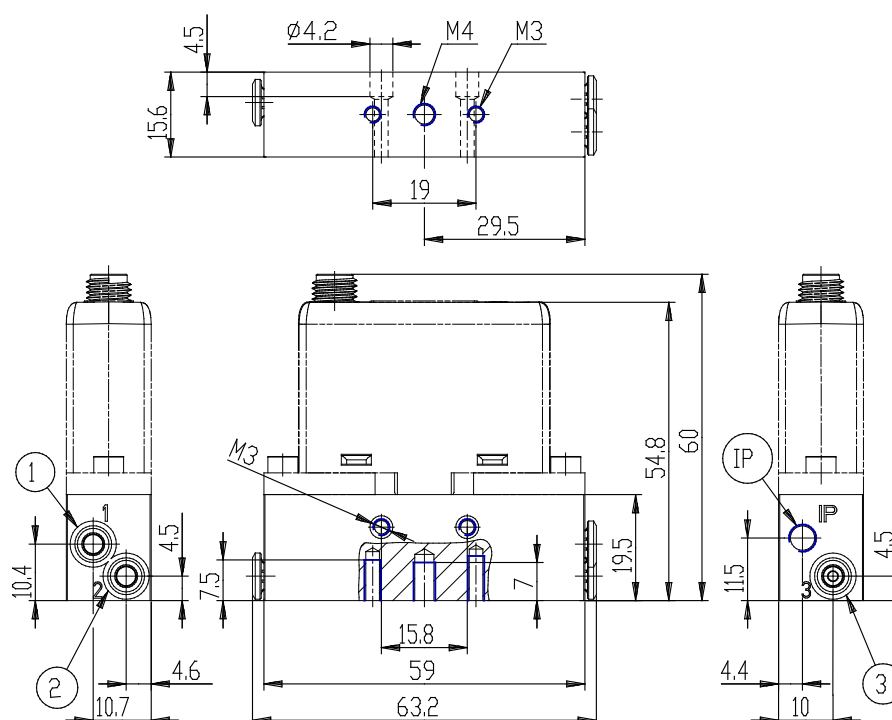


TECHNICAL DATA

| | |
|------------------------------|-----------------------|
| Series | K8P |
| Body design | S = Standard Sub-base |
| Working pressure (mm) | B = 0-1 bar |
| Valve functions (mm) | 5= 2 ways NC |
| COMMAND | 3= 4-20 mA |
| Output signal (mm) | 2= 0-10 V |
| Cable length (mm) | 0 = without cable |

Electronic proportional micro regulator - Series K8P

Product code: K8P-S-B532-0



DIMENSIONS

| | |
|------------------------------|-----------------------|
| Series | K8P |
| Body design | S = Standard Sub-base |
| Working pressure (mm) | B = 0-1 bar |
| Valve functions (mm) | 5= 2 ways NC |
| COMMAND | 3= 4-20 mA |
| Output signal (mm) | 2= 0-10 V |
| Cable length (mm) | 0 = without cable |