

## Electronic proportional micro regulator - Series K8P

Product code: K8P-S-F522-5R

Datasheet creation date: 10/03/2025 10:40

Check the most updated document online [click here](#)

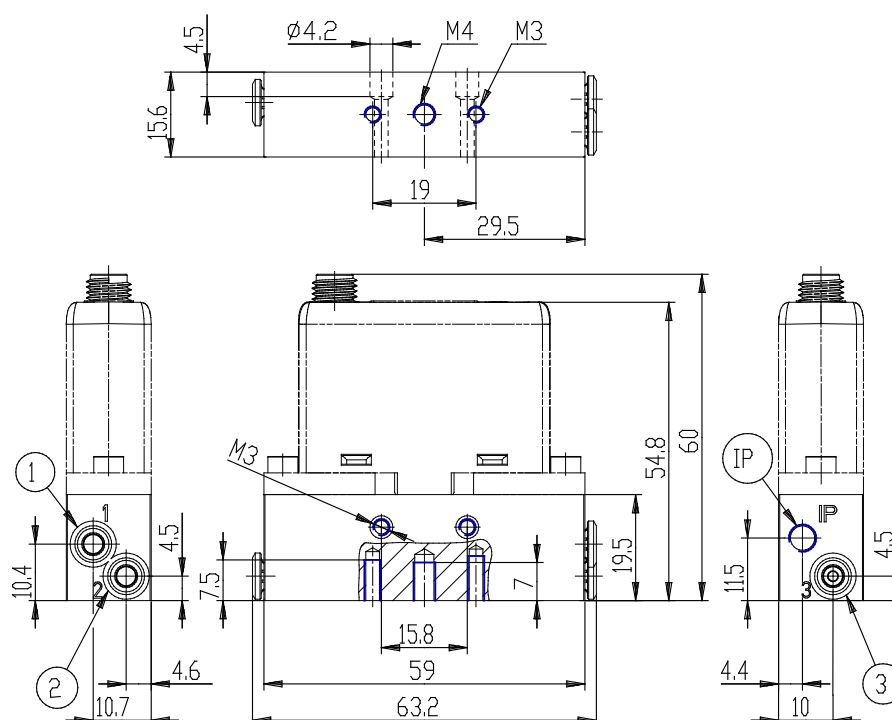


### TECHNICAL DATA

<b>Series</b>	K8P
<b>Body design</b>	S = Standard Sub-base
<b>Working pressure (mm)</b>	F = 0-7 bar
<b>Valve functions (mm)</b>	5= 2 ways NC
<b>COMMAND</b>	2 = 0-10 V DC
<b>Output signal (mm)</b>	2= 0-10 V
<b>Cable length (mm)</b>	5R = right angle cable (90 degrees), 5 m

## Electronic proportional micro regulator - Series K8P

Product code: K8P-S-F522-5R



### DIMENSIONS

<b>Series</b>	K8P
<b>Body design</b>	S = Standard Sub-base
<b>Working pressure (mm)</b>	F = 0-7 bar
<b>Valve functions (mm)</b>	5= 2 ways NC
<b>COMMAND</b>	2= 0-10 V DC
<b>Output signal (mm)</b>	2= 0-10 V
<b>Cable length (mm)</b>	5R = right angle cable (90 degrees), 5 m