

Electronic proportional micro regulator - Series K8P

Product code: K8P-S-F532-5R

Datasheet creation date: 10/03/2025 10:40

Check the most updated document online [click here](#)

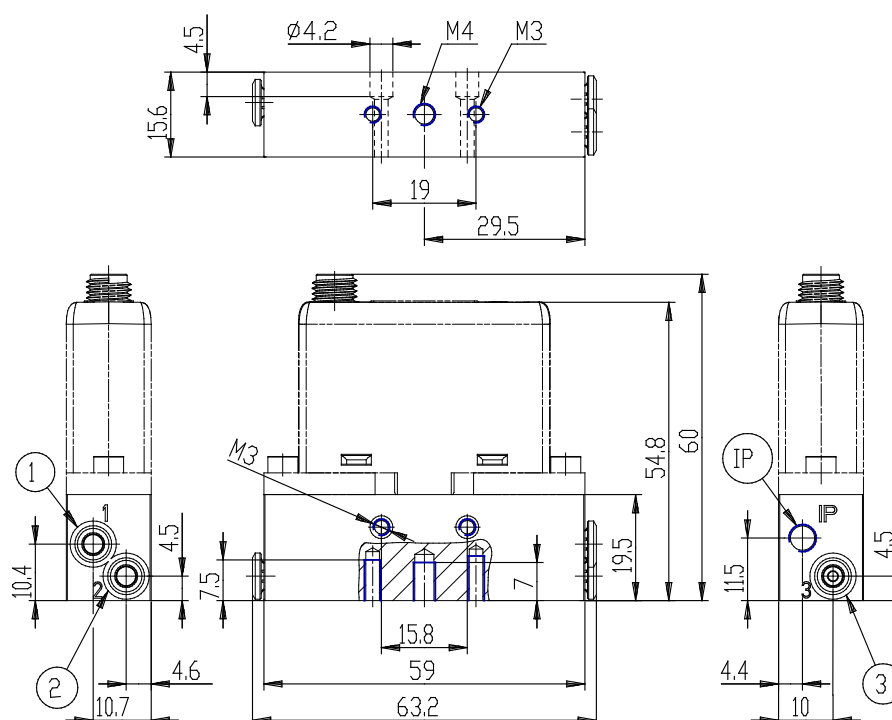


TECHNICAL DATA

Series	K8P
Body design	S = Standard Sub-base
Working pressure (mm)	F = 0-7 bar
Valve functions (mm)	5= 2 ways NC
COMMAND	3= 4-20 mA
Output signal (mm)	2= 0-10 V
Cable length (mm)	5R = right angle cable (90 degrees), 5 m

Electronic proportional micro regulator - Series K8P

Product code: K8P-S-F532-5R



DIMENSIONS

Series	K8P
Body design	S = Standard Sub-base
Working pressure (mm)	F = 0-7 bar
Valve functions (mm)	5= 2 ways NC
COMMAND	3= 4-20 mA
Output signal (mm)	2= 0-10 V
Cable length (mm)	5R = right angle cable (90 degrees), 5 m