

Direct acting solenoid valves - Series K8

Product code: K8X1A-503-K33OX1

Datasheet creation date: 10/03/2025 11:44

Check the most updated document online [click here](#)

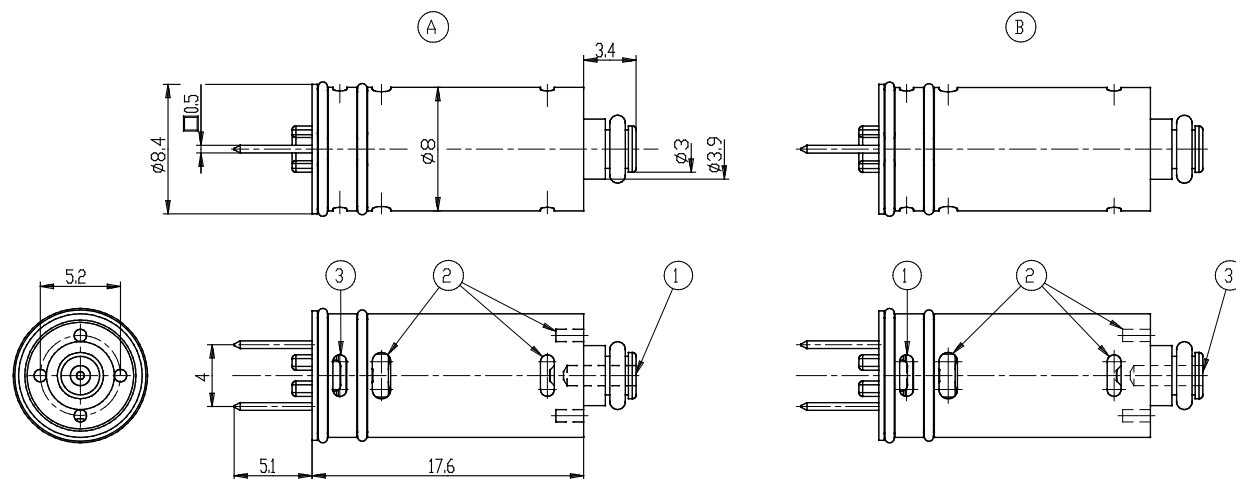


TECHNICAL DATA

| | |
|------------------------------------|--|
| Series | K8 |
| Body design | X = cartridge valve with PBT body |
| Body design | 1A = PBT body valve with barb fitting for Ø4/2 mm tube |
| Fixing | Vertical |
| Number of ways - Function | 5 = 2/2 way - NC |
| Sealing material | 0 = poppet, FKM seals |
| Orifice diameter | 3 = Ø 0.5 mm (max pressure 7 bar) |
| Materials | K= brass orifice |
| Electric connection | 3 = JST connector with 300 mm cables |
| Voltage - Power consumption | 3 = 24 V DC - 0.6 W |
| Options | OX1 = for oxygen (non-volatile residual residue at 550 mg / m ²) |

Direct acting solenoid valves - Series K8

Product code: K8X1A-503-K33OX1



- 1 = ALIMENTAZIONE / INLET
 2 = UTILIZZO / OUTLET
 3 = SCARICO / EXHAUST
 A = VERSIONE 3/2 NC
 B = VERSIONE 3/2 NA

DIMENSIONS

| | |
|------------------------------------|--|
| Series | K8 |
| Body design | X = cartridge valve with PBT body |
| Body design | 1A = PBT body valve with barb fitting for $\varnothing 4/2$ mm tube |
| Fixing | Vertical |
| Number of ways - Function | 5 = 2/2 way - NC |
| Sealing material | 0 = poppet, FKM seals |
| Orifice diameter | 3 = $\varnothing 0.5$ mm (max pressure 7 bar) |
| Materials | K= brass orifice |
| Electric connection | 3 = JST connector with 300 mm cables |
| Voltage - Power consumption | 3 = 24 V DC - 0.6 W |
| Options | OX1 = for oxygen (non-volatile residual residue at 550 mg / m ²) |