

Direct acting solenoid valves - Series K8

Product code: K8X1A-503-K35

Datasheet creation date: 10/03/2025 11:44

Check the most updated document online [click here](#)

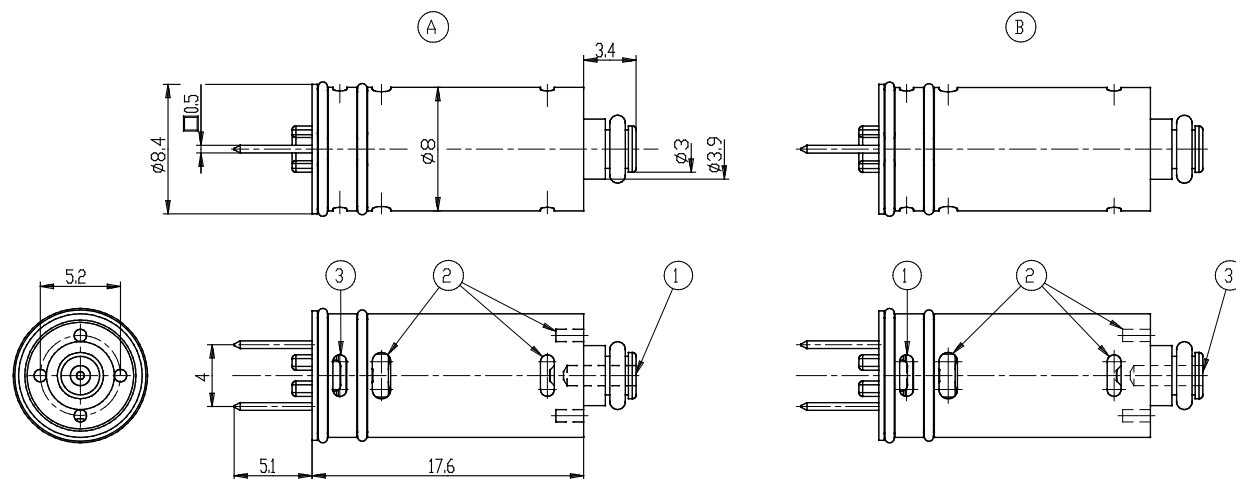


TECHNICAL DATA

Series	K8
Body design	X = cartridge valve with PBT body
Body design	1A = PBT body valve with barb fitting for Ø4/2 mm tube
Fixing	Vertical
Number of ways - Function	5 = 2/2 way - NC
Sealing material	0 = poppet, FKM seals
Orifice diameter	3 = Ø 0.5 mm (max pressure 7 bar)
Materials	K= brass orifice
Electric connection	3 = JST connector with 300 mm cables
Voltage - Power consumption	5 = 5 V DC - 0.6 W
Options	= standard

Direct acting solenoid valves - Series K8

Product code: K8X1A-503-K35



- 1 = ALIMENTAZIONE / INLET
 2 = UTILIZZO / OUTLET
 3 = SCARICO / EXHAUST
 A = VERSIONE 3/2 NC
 B = VERSIONE 3/2 NA

DIMENSIONS

Series	K8
Body design	X = cartridge valve with PBT body
Body design	1A = PBT body valve with barb fitting for Ø4/2 mm tube
Fixing	Vertical
Number of ways - Function	5 = 2/2 way - NC
Sealing material	0 = poppet, FKM seals
Orifice diameter	3 = Ø 0.5 mm (max pressure 7 bar)
Materials	K= brass orifice
Electric connection	3 = JST connector with 300 mm cables
Voltage - Power consumption	5 = 5 V DC - 0.6 W
Options	= standard