

Direct acting solenoid valves - Series K8

Product code: K8X1C-505-K32

Datasheet creation date: 10/03/2025 11:44

Check the most updated document online [click here](#)

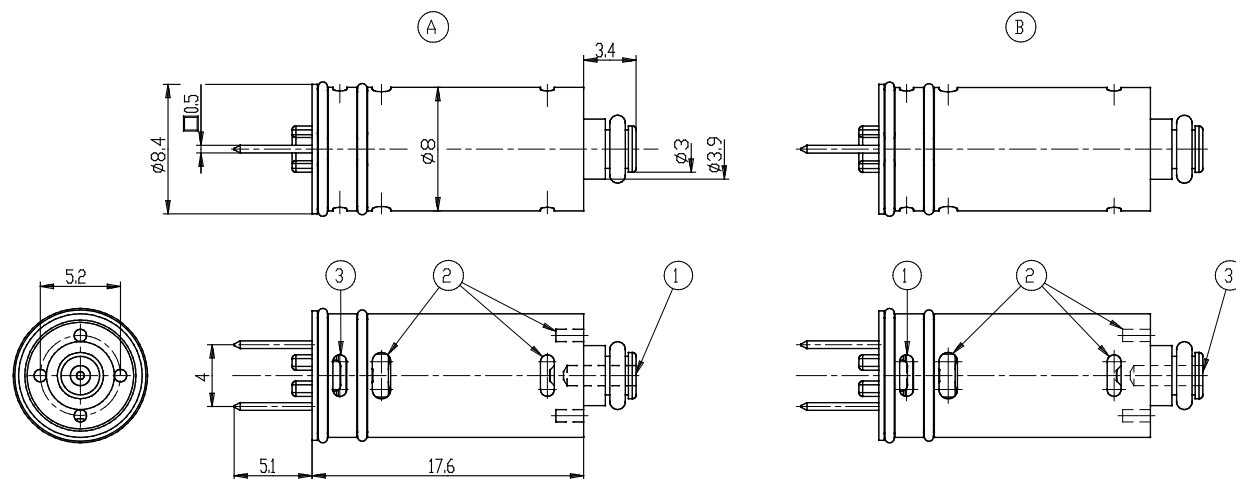


TECHNICAL DATA

Series	K8
Body design	X = cartridge valve with PBT body
Body design	1C = PBT body valve with barb fitting for Ø5/3 mm tube
Fixing	Vertical
Number of ways - Function	5 = 2/2 way - NC
Sealing material	0 = poppet, FKM seals
Orifice diameter	5 = Ø 0.7 mm
Materials	K= brass orifice
Electric connection	3 = JST connector with 300 mm cables
Voltage - Power consumption	2 = 12 V DC - 0.6 W
Options	= standard

Direct acting solenoid valves - Series K8

Product code: K8X1C-505-K32



- 1 = ALIMENTAZIONE / INLET
 2 = UTILIZZO / OUTLET
 3 = SCARICO / EXHAUST
 A = VERSIONE 3/2 NC
 B = VERSIONE 3/2 NA

DIMENSIONS

Series	K8
Body design	X = cartridge valve with PBT body
Body design	1C = PBT body valve with barb fitting for Ø5/3 mm tube
Fixing	Vertical
Number of ways - Function	5 = 2/2 way - NC
Sealing material	0 = poppet, FKM seals
Orifice diameter	5 = Ø 0.7 mm
Materials	K= brass orifice
Electric connection	3 = JST connector with 300 mm cables
Voltage - Power consumption	2 = 12 V DC - 0.6 W
Options	= standard