

Direct acting solenoid valves - Series KL

Product code: KL050-A63AB-1AP

Datasheet creation date: 10/03/2025 11:34

Check the most updated document online [click here](#)

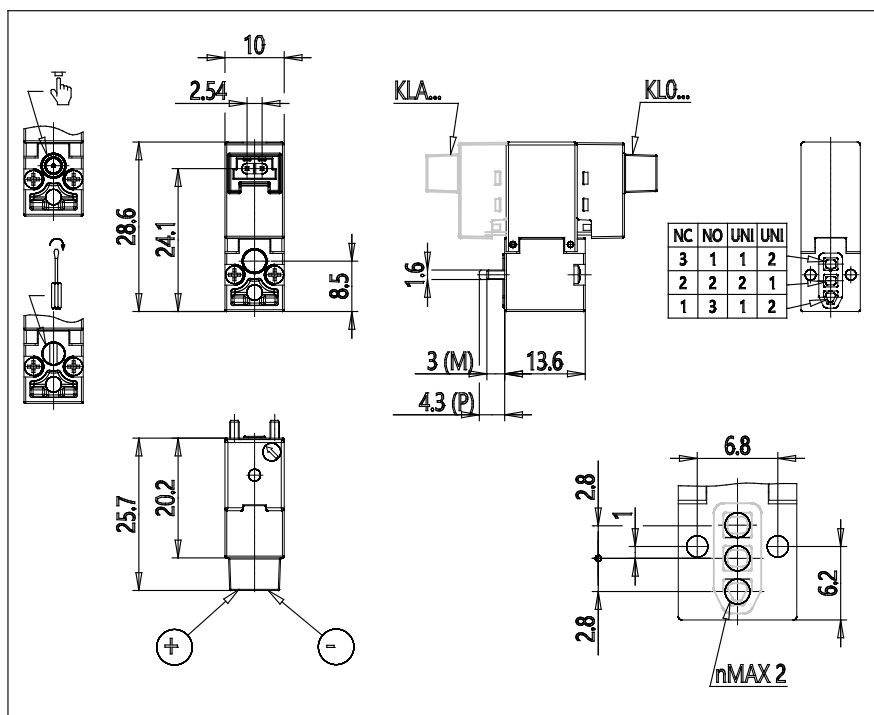


TECHNICAL DATA

Series	KL = standard
Valvebody	0 = 3/2 body - ISO 15218
Functions	5 = 3/2 NO
Ports	0 = on sub-base or manifold
Diameter	A6 = Ø0.60 mm
Seals material	3 = FKM
Body material	A = PBT
Manual Override	B = bistable
Electric connection	1 = 90 ° connector with protection and led
Voltage Power	A = 6V DC - 1.3/0.3W
Fixing	P = fixing screws for plastic
Option	= standard

Direct acting solenoid valves - Series KL

Product code: KL050-A63AB-1AP



DIMENSIONS

Series	KL = standard
Valvebody	0 = 3/2 body - ISO 15218
Functions	5 = 3/2 NO
Ports	0 = on sub-base or manifold
Diameter	A6 = Ø0.60 mm
Seals material	3 = FKM
Body material	A = PBT
Manual Override	B = bistable
Electric connection	1 = 90 ° connector with protection and led
Voltage Power	A = 6V DC - 1.3/0.3W
Fixing	P = fixing screws for plastic
Option	= standard