

## Direct acting solenoid valves - Series KL

Product code: KL060-A63A0-1BM

Datasheet creation date: 10/03/2025 11:35

Check the most updated document online [click here](#)

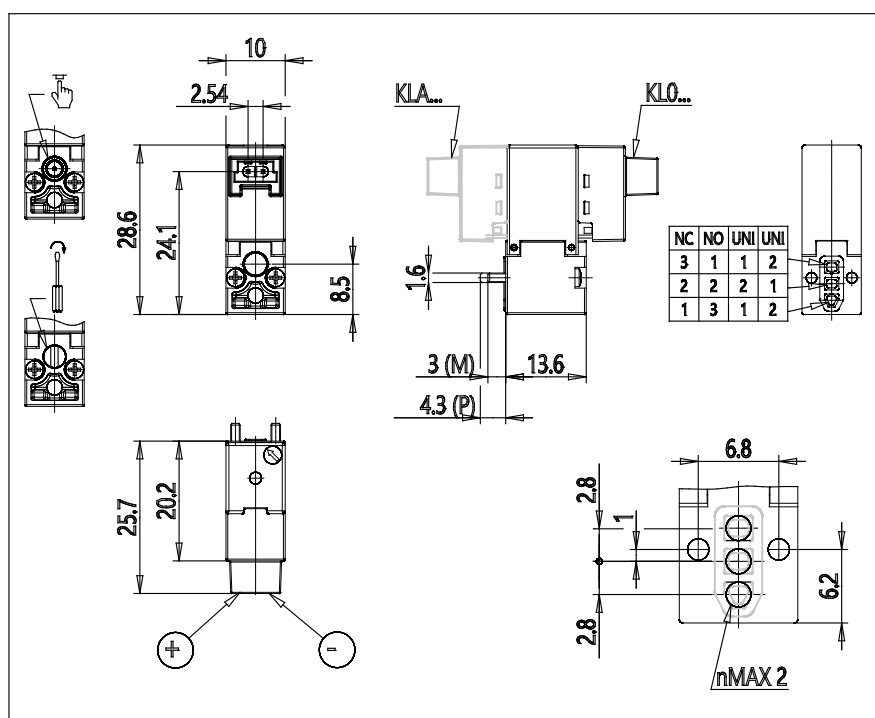


### TECHNICAL DATA

|                            |  |
|----------------------------|--|
| <b>Series</b>              | KL = standard                              |
| <b>Valvebody</b>           | 0 = 3/2 body - ISO 15218                   |
| <b>Functions</b>           | 6 = 3/2 UNI                                |
| <b>Ports</b>               | 0 = on sub-base or manifold                |
| <b>Diameter</b>            | A6 = Ø0.60 mm                              |
| <b>Seals material</b>      | 3 = FKM                                    |
| <b>Body material</b>       | A = PBT                                    |
| <b>Manual Override</b>     | 0 = not requested or not foreseen          |
| <b>Electric connection</b> | 1 = 90 ° connector with protection and led |
| <b>Voltage Power</b>       | B = 12V DC - 1.3/0.3W                      |
| <b>Fixing</b>              | M = fixing screws for metal                |
| <b>Option</b>              | = standard                                 |

## Direct acting solenoid valves - Series KL

Product code: KL060-A63A0-1BM



### DIMENSIONS

|                            |  |
|----------------------------|--|
| <b>Series</b>              | KL = standard                              |
| <b>Valvebody</b>           | 0 = 3/2 body - ISO 15218                   |
| <b>Functions</b>           | 6 = 3/2 UNI                                |
| <b>Ports</b>               | 0 = on sub-base or manifold                |
| <b>Diameter</b>            | A6 = Ø0.60 mm                              |
| <b>Seals material</b>      | 3 = FKM                                    |
| <b>Body material</b>       | A = PBT                                    |
| <b>Manual Override</b>     | 0 = not requested or not foreseen          |
| <b>Electric connection</b> | 1 = 90 ° connector with protection and led |
| <b>Voltage Power</b>       | B = 12V DC - 1.3/0.3W                      |
| <b>Fixing</b>              | M = fixing screws for metal                |
| <b>Option</b>              | = standard                                 |