

Direct acting solenoid valves - Series KL

Product code: KL060-A63AY-1AM

Datasheet creation date: 10/03/2025 11:35

Check the most updated document online [click here](#)

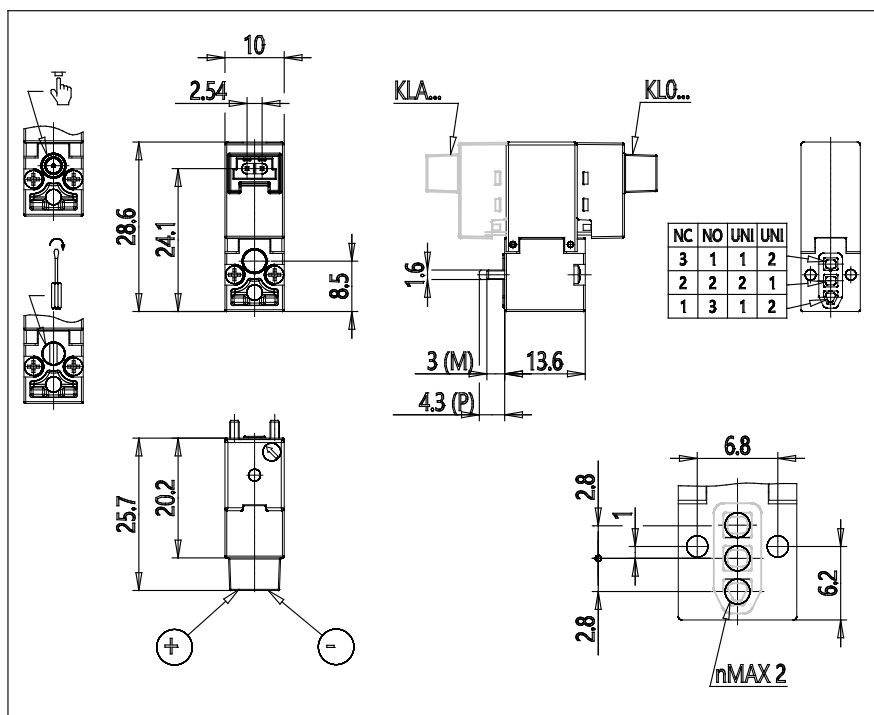


TECHNICAL DATA

| | |
|----------------------------|--|
| Series | KL = standard |
| Valvebody | 0 = 3/2 body - ISO 15218 |
| Functions | 6 = 3/2 UNI |
| Ports | 0 = on sub-base or manifold |
| Diameter | A6 = Ø0.60 mm |
| Seals material | 3 = FKM |
| Body material | A = PBT |
| Manual Override | Y = monostable |
| Electric connection | 1 = 90 ° connector with protection and led |
| Voltage Power | A = 6V DC - 1.3/0.3W |
| Fixing | M = fixing screws for metal |
| Option | = standard |

Direct acting solenoid valves - Series KL

Product code: KL060-A63AY-1AM



DIMENSIONS

| | |
|----------------------------|--|
| Series | KL = standard |
| Valvebody | 0 = 3/2 body - ISO 15218 |
| Functions | 6 = 3/2 UNI |
| Ports | 0 = on sub-base or manifold |
| Diameter | A6 = Ø0.60 mm |
| Seals material | 3 = FKM |
| Body material | A = PBT |
| Manual Override | Y = monostable |
| Electric connection | 1 = 90 ° connector with protection and led |
| Voltage Power | A = 6V DC - 1.3/0.3W |
| Fixing | M = fixing screws for metal |
| Option | = standard |