

Direct acting solenoid valves - Series KL

Product code: KL060-A83AY-BBM

Datasheet creation date: 10/03/2025 11:35

Check the most updated document online [click here](#)

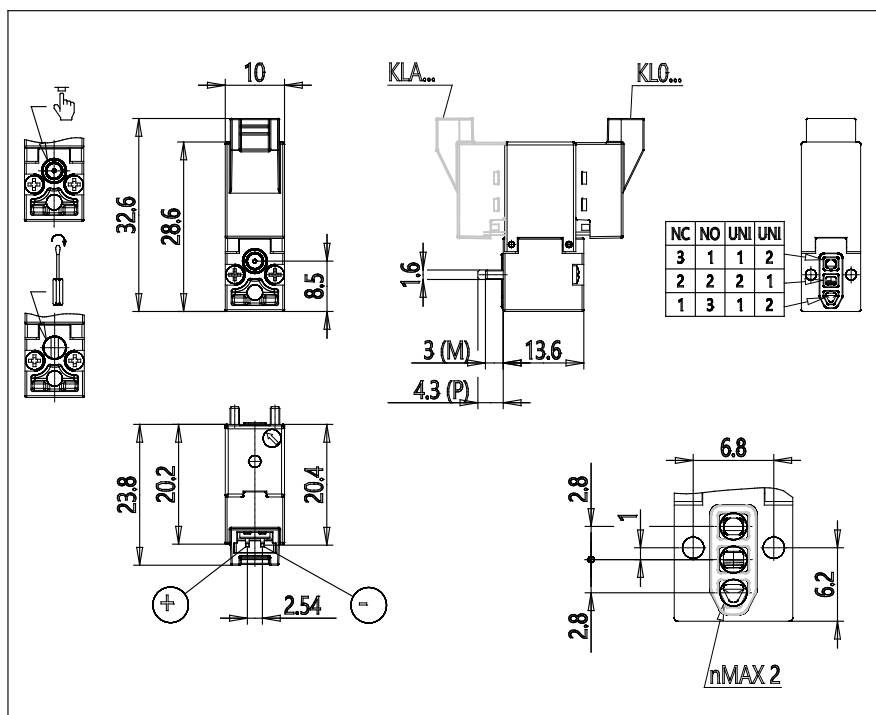


TECHNICAL DATA

Series	KL = standard
Valvebody	0 = 3/2 body - ISO 15218
Functions	6 = 3/2 UNI
Ports	0 = on sub-base or manifold
Diameter	A8 = Ø0.80 mm
Seals material	3 = FKM
Body material	A = PBT
Manual Override	Y = monostable
Electric connection	B = in-line connector with protection and led
Voltage Power	B = 12V DC - 1.3/0.3W
Fixing	M = fixing screws for metal
Option	= standard

Direct acting solenoid valves - Series KL

Product code: KL060-A83AY-BBM



DIMENSIONS

Series	KL = standard
Valvebody	0 = 3/2 body - ISO 15218
Functions	6 = 3/2 UNI
Ports	0 = on sub-base or manifold
Diameter	A8 = Ø0.80 mm
Seals material	3 = FKM
Body material	A = PBT
Manual Override	Y = monostable
Electric connection	B = in-line connector with protection and led
Voltage Power	B = 12V DC - 1.3/0.3W
Fixing	M = fixing screws for metal
Option	= standard