

## Direct acting solenoid valves - Series KL

Product code: KL060-B13A0-17M

Datasheet creation date: 10/03/2025 11:35

Check the most updated document online [click here](#)

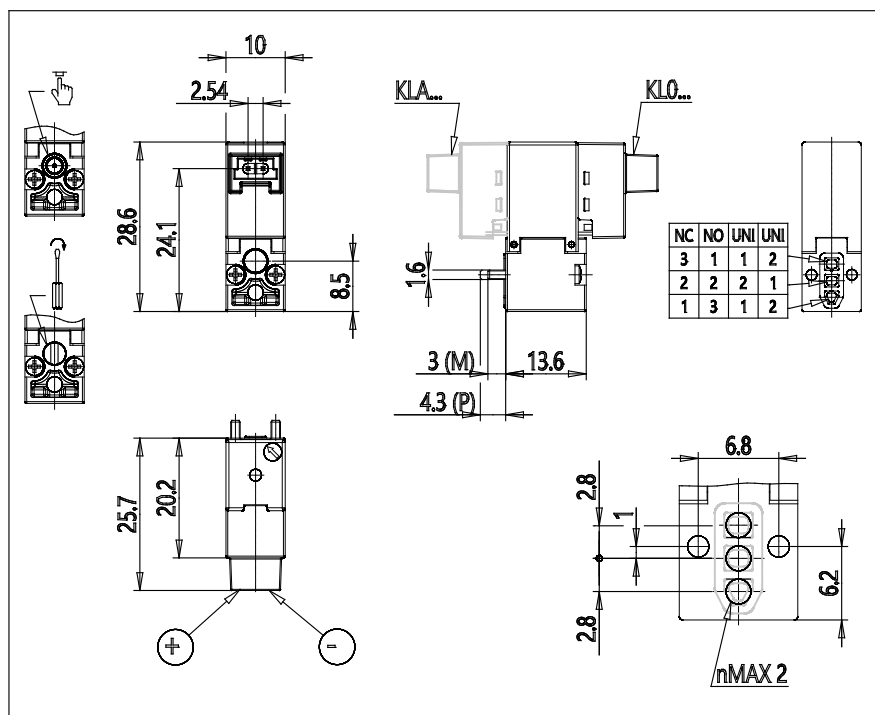


### TECHNICAL DATA

<b>Series</b>	KL = standard
<b>Valvebody</b>	0 = 3/2 body - ISO 15218
<b>Functions</b>	6 = 3/2 UNI
<b>Ports</b>	0 = on sub-base or manifold
<b>Diameter</b>	B1 = Ø1.10 mm
<b>Seals material</b>	3 = FKM
<b>Body material</b>	A = PBT
<b>Manual Override</b>	0 = not requested or not foreseen
<b>Electric connection</b>	1 = 90 ° connector with protection and led
<b>Voltage Power</b>	7 = 12V DC - 4/1W
<b>Fixing</b>	M = fixing screws for metal
<b>Option</b>	= standard

## Direct acting solenoid valves - Series KL

Product code: KL060-B13A0-17M



### DIMENSIONS

<b>Series</b>	KL = standard
<b>Valvebody</b>	0 = 3/2 body - ISO 15218
<b>Functions</b>	6 = 3/2 UNI
<b>Ports</b>	0 = on sub-base or manifold
<b>Diameter</b>	B1 = Ø1.10 mm
<b>Seals material</b>	3 = FKM
<b>Body material</b>	A = PBT
<b>Manual Override</b>	0 = not requested or not foreseen
<b>Electric connection</b>	1 = 90 ° connector with protection and led
<b>Voltage Power</b>	7 = 12V DC - 4/1W
<b>Fixing</b>	M = fixing screws for metal
<b>Option</b>	= standard