

Direct acting solenoid valves - Series KL

Product code: KL210-B23A0-B8M

Datasheet creation date: 10/03/2025 11:33

Check the most updated document online [click here](#)

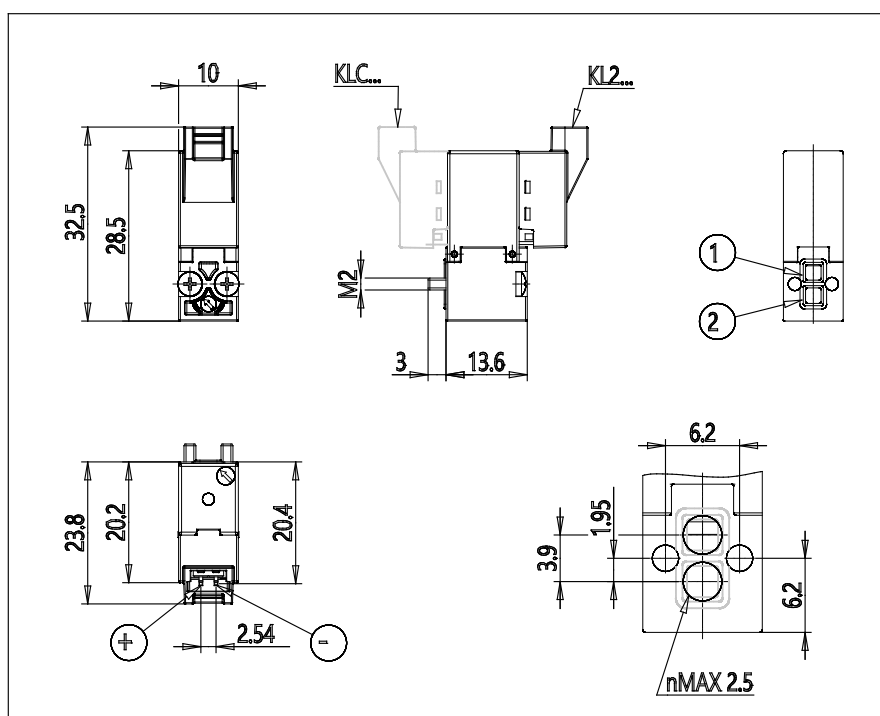


TECHNICAL DATA

Series	KL = standard
Valvebody	2 = 2/2 body
Functions	1 = 2/2 NC
Ports	0 = on sub-base or manifold
Diameter	B2 = Ø1.20 mm
Seals material	3 = FKM
Body material	A = PBT
Manual Override	0 = not requested or not foreseen
Electric connection	B = in-line connector with protection and led
Voltage Power	8 = 24V DC - 4/1W
Fixing	M = fixing screws for metal
Option	= standard

Direct acting solenoid valves - Series KL

Product code: KL210-B23A0-B8M



DIMENSIONS

Series	KL = standard
Valvebody	2 = 2/2 body
Functions	1 = 2/2 NC
Ports	0 = on sub-base or manifold
Diameter	B2 = Ø1.20 mm
Seals material	3 = FKM
Body material	A = PBT
Manual Override	0 = not requested or not foreseen
Electric connection	B = in-line connector with protection and led
Voltage Power	8 = 24V DC - 4/1W
Fixing	M = fixing screws for metal
Option	= standard