

## Direct acting solenoid valve - Series KN

Product code: KN000-303-KB3M

Datasheet creation date: 10/03/2025 11:48

Check the most updated document online [click here](#)

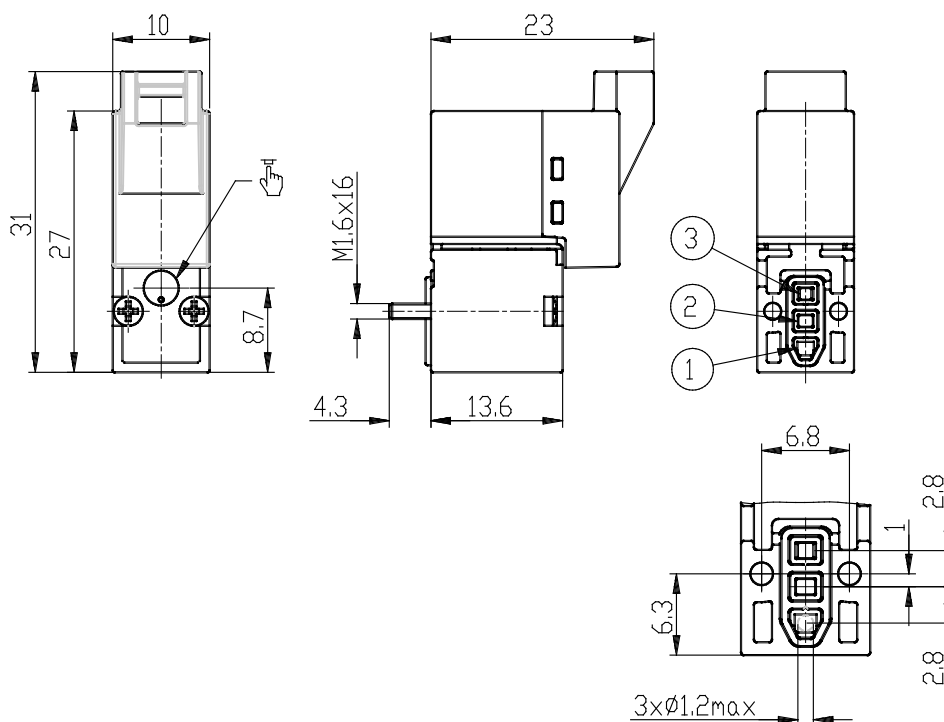


### TECHNICAL DATA

<b>Series</b>	KN
<b>Body</b>	0 = single valve
<b>Number of positions</b>	interface
<b>Function</b>	3= 3/2 NC
<b>PORTS (IN - OUT)</b>	0 = ISO 15218 on subbase or manifold
<b>Diameter</b>	3 = Ø 0.65 mm
<b>Materials</b>	K = PBT body - FKM poppet - NBR other seals
<b>Type of connection</b>	B = in-line connection with protection and led
<b>Voltage</b>	3= 24 VDC
<b>Fixing</b>	M = fixing screws for metal
<b>Option</b>	= standard

## Direct acting solenoid valve - Series KN

Product code: KN000-303-KB3M



### DIMENSIONS

<b>Series</b>	KN
<b>Body</b>	0 = single valve
<b>Number of positions</b>	interface
<b>Function</b>	3= 3/2 NC
<b>PORTS (IN - OUT)</b>	0 = ISO 15218 on subbase or manifold
<b>Diameter</b>	3 = Ø 0.65 mm
<b>Materials</b>	K = PBT body - FKM poppet - NBR other seals
<b>Type of connection</b>	B = in-line connection with protection and led
<b>Voltage</b>	3= 24 VDC
<b>Fixing</b>	M = fixing screws for metal
<b>Option</b>	= standard