

Direct acting solenoid valve - Series KN

Product code: KN000-305-FB8

Datasheet creation date: 10/03/2025 11:48

Check the most updated document online [click here](#)

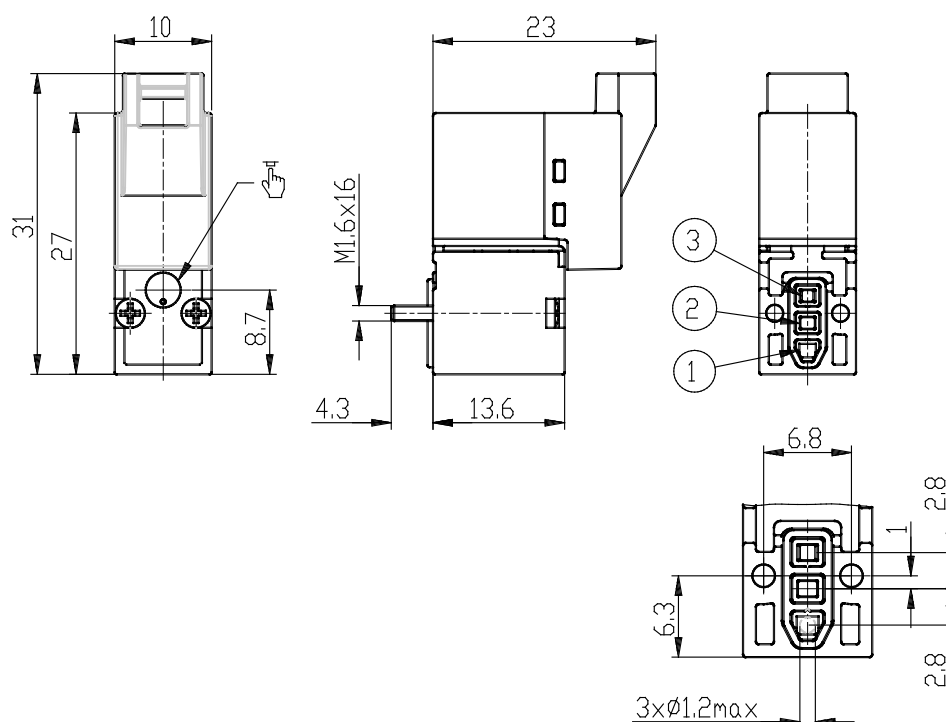


TECHNICAL DATA

Series	KN
Body	0 = single valve
Number of positions	interface
Function	3= 3/2 NC
PORTS (IN - OUT)	0 = ISO 15218 on subbase or manifold
Diameter	5 = Ø 1.1 mm - only for NC version with minimum pressure required to operate
Materials	F = PBT body - FKM poppet - FKM other seals
Type of connection	B = in-line connection with protection and led
Voltage	8 = 24 V DC - 4/1 W
Fixing	= fixing screws for plastic
Option	= standard

Direct acting solenoid valve - Series KN

Product code: KN000-305-FB8



DIMENSIONS

Series	KN
Body	0 = single valve
Number of positions	interface
Function	3= 3/2 NC
PORTS (IN - OUT)	0 = ISO 15218 on subbase or manifold
Diameter	5 = Ø 1.1 mm - only for NC version with minimum pressure required to operate
Materials	F = PBT body - FKM poppet - FKM other seals
Type of connection	B = in-line connection with protection and led
Voltage	8 = 24 V DC - 4/1 W
Fixing	= fixing screws for plastic
Option	= standard