

Direct acting solenoid valve - Series KN

Product code: KN000-306-KB8

Datasheet creation date: 10/03/2025 11:48

Check the most updated document online [click here](#)

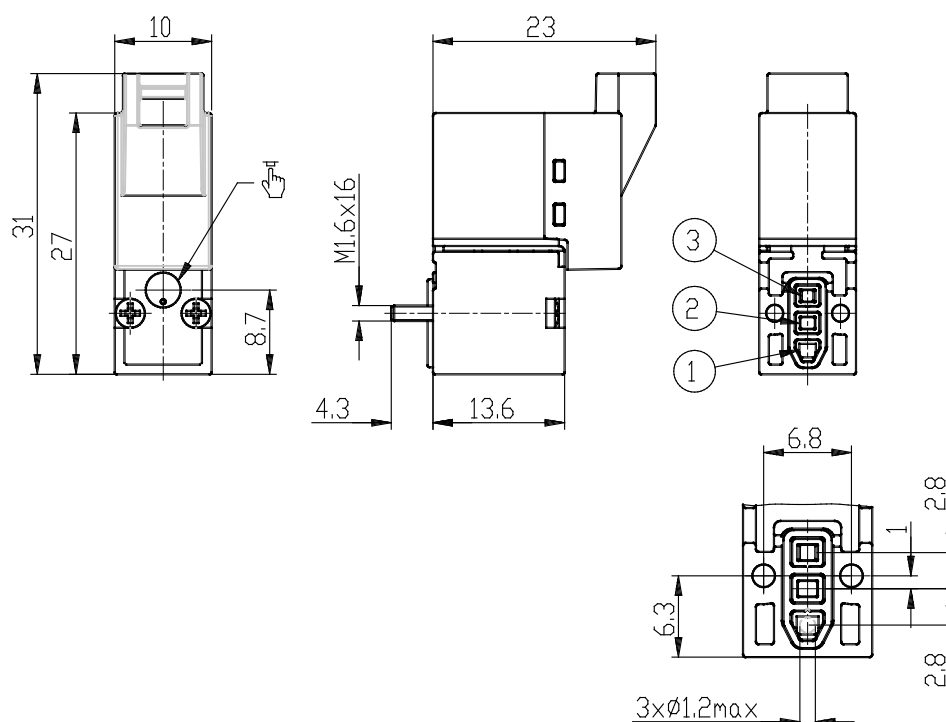


TECHNICAL DATA

| | |
|----------------------------|--|
| Series | KN |
| Body | 0 = single valve |
| Number of positions | interface |
| Function | 3= 3/2 NC |
| PORTS (IN - OUT) | 0 = ISO 15218 on subbase or manifold |
| Diameter | 6 = Ø 1.1 mm |
| Materials | K = PBT body - FKM poppet - NBR other seals |
| Type of connection | B = in-line connection with protection and led |
| Voltage | 8 = 24 V DC - 4/1 W |
| Fixing | = fixing screws for plastic |
| Option | = standard |

Direct acting solenoid valve - Series KN

Product code: KN000-306-KB8



DIMENSIONS

| | |
|----------------------------|--|
| Series | KN |
| Body | 0 = single valve |
| Number of positions | interface |
| Function | 3= 3/2 NC |
| PORTS (IN - OUT) | 0 = ISO 15218 on subbase or manifold |
| Diameter | 6 = Ø 1.1 mm |
| Materials | K = PBT body - FKM poppet - NBR other seals |
| Type of connection | B = in-line connection with protection and led |
| Voltage | 8 = 24 V DC - 4/1 W |
| Fixing | = fixing screws for plastic |
| Option | = standard |