

Direct acting solenoid valve - Series KN

Product code: KN000-403-FB2M

Datasheet creation date: 10/03/2025 11:48

Check the most updated document online [click here](#)

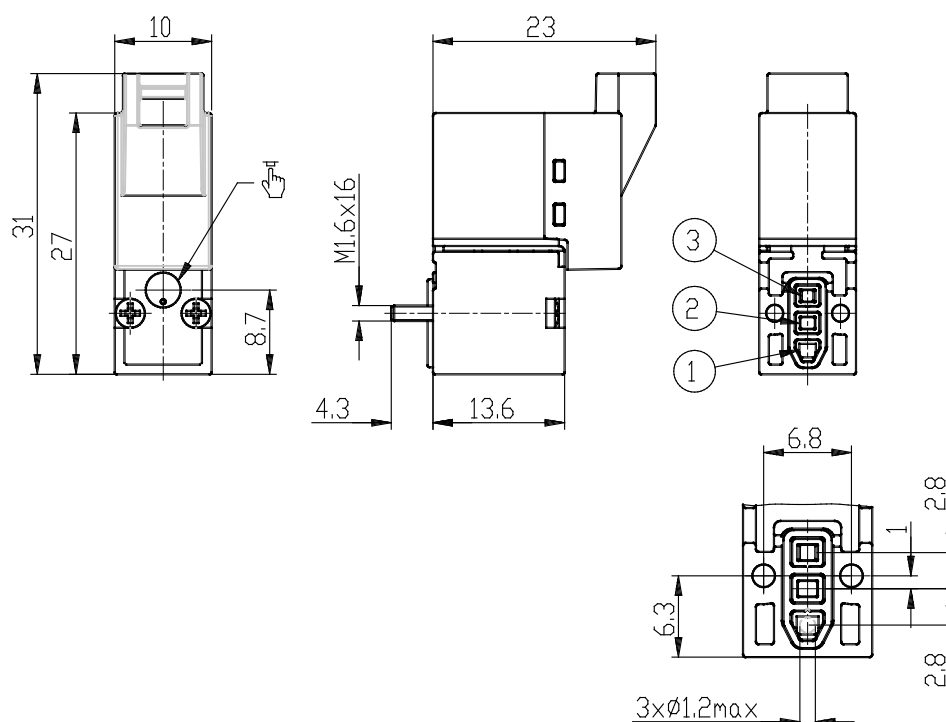


TECHNICAL DATA

Series	KN
Body	0 = single valve
Number of positions	interface
Function	4 = 3/2 vie - NO
PORTS (IN - OUT)	0 = ISO 15218 on subbase or manifold
Diameter	3 = Ø 0.65 mm
Materials	F = PBT body - FKM poppet - FKM other seals
Type of connection	B = in-line connection with protection and led
Voltage	2= 12 VDC
Fixing	M = fixing screws for metal
Option	= standard

Direct acting solenoid valve - Series KN

Product code: KN000-403-FB2M



DIMENSIONS

Series	KN
Body	0 = single valve
Number of positions	interface
Function	4 = 3/2 vie - NO
PORTS (IN - OUT)	0 = ISO 15218 on subbase or manifold
Diameter	3 = Ø 0.65 mm
Materials	F = PBT body - FKM poppet - FKM other seals
Type of connection	B = in-line connection with protection and led
Voltage	2= 12 VDC
Fixing	M = fixing screws for metal
Option	= standard