

Digital proportional servo valves - Series LR

Product code: LRPD2-34-2-2-00

Datasheet creation date: 10/03/2025 12:09

Check the most updated document online [click here](#)

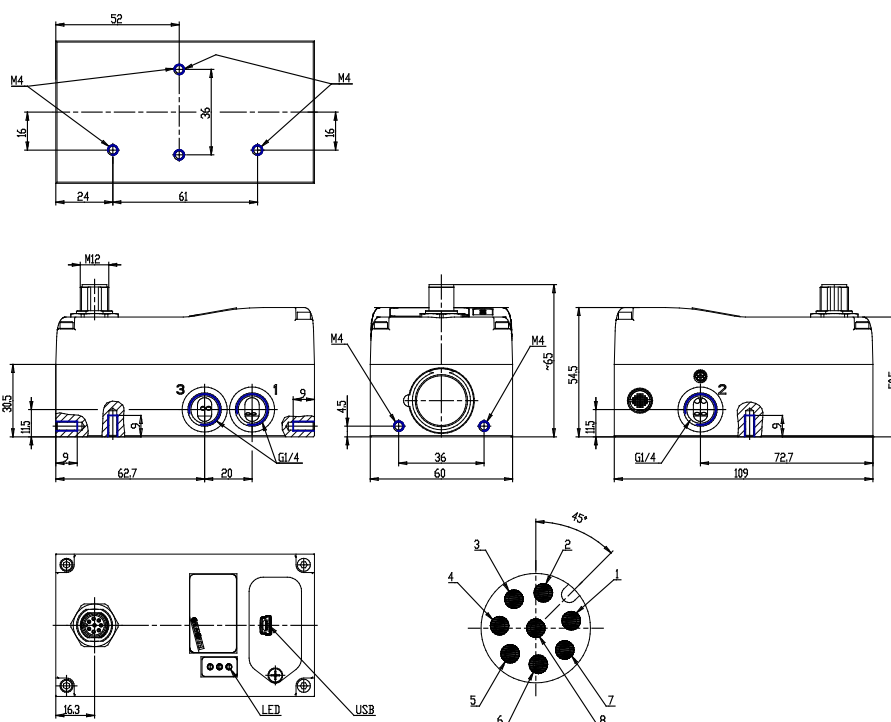


TECHNICAL DATA

Series	L = proportional servo valves
Technology	R = rotating spool
Version	P = pressure control
Electronics	D = digital
Model	2 = compact DIN-RAIL
Function	3 = 3/3 ways
Nominal diameter	4 = 4 mm
Command signal (setpoint)	2 = 0-10 V
FEEDBACK SIGNAL	2 = 0..10 V
Cable	00 = no cable

Digital proportional servo valves - Series LR

Product code: LRPD2-34-2-2-00



DIMENSIONS

Series	L = proportional servo valves
Technology	R = rotating spool
Version	P = pressure control
Electronics	D = digital
Model	2 = compact DIN-RAIL
Function	3 = 3/3 ways
Nominal diameter	4 = 4 mm
Command signal (setpoint)	2 = 0-10 V
FEEDBACK SIGNAL	2 = 0..10 V
Cable	00 = no cable