

Digital proportional servo valves - Series LR

Product code: LRPD2-34-2-B-00

Datasheet creation date: 10/03/2025 12:09

Check the most updated document online [click here](#)

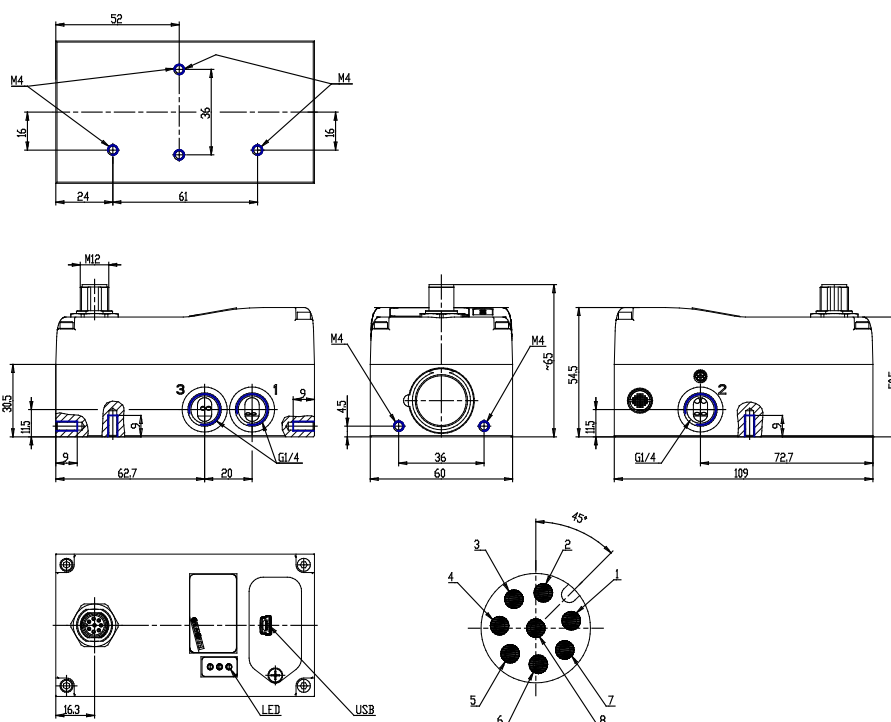


TECHNICAL DATA

| | |
|----------------------------------|-------------------------------|
| Series | L = proportional servo valves |
| Technology | R = rotating spool |
| Version | P = pressure control |
| Electronics | D = digital |
| Model | 2 = compact DIN-RAIL |
| Function | 3 = 3/3 ways |
| Nominal diameter | 4 = 4 mm |
| Command signal (setpoint) | 2 = 0-10 V |
| FEEDBACK SIGNAL | B = 1 bar (internal sensor) |
| Cable | 00 = no cable |

Digital proportional servo valves - Series LR

Product code: LRPD2-34-2-B-00



DIMENSIONS

| | |
|----------------------------------|-------------------------------|
| Series | L = proportional servo valves |
| Technology | R = rotating spool |
| Version | P = pressure control |
| Electronics | D = digital |
| Model | 2 = compact DIN-RAIL |
| Function | 3 = 3/3 ways |
| Nominal diameter | 4 = 4 mm |
| Command signal (setpoint) | 2 = 0-10 V |
| FEEDBACK SIGNAL | B = 1 bar (internal sensor) |
| Cable | 00 = no cable |