

## Digital proportional servo valves - Series LR

Product code: LRWD2-34-2-A-2F

Datasheet creation date: 10/03/2025 12:08

Check the most updated document online [click here](#)

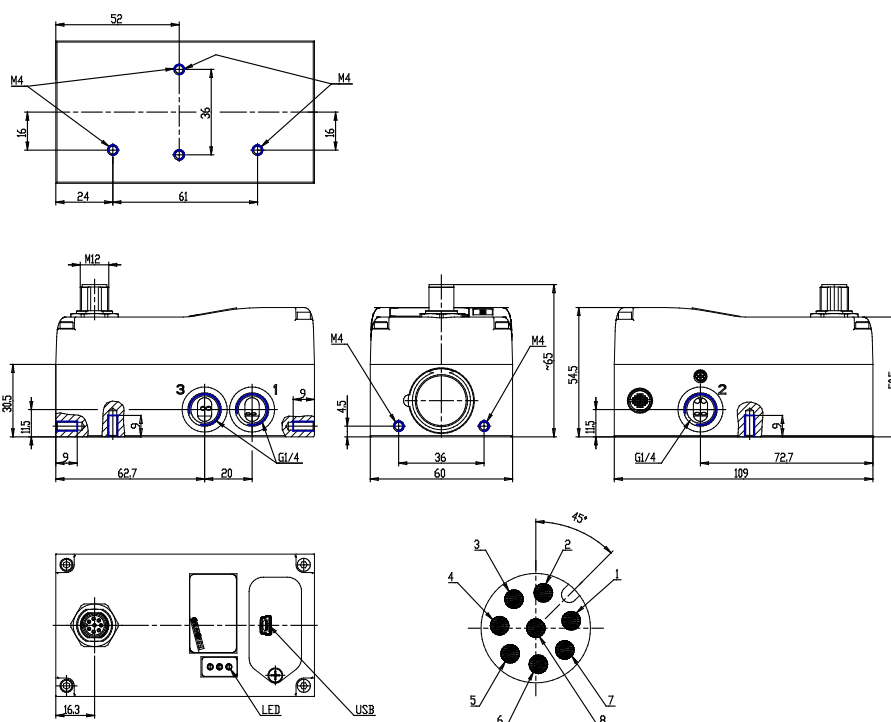


### TECHNICAL DATA

<b>Series</b>	L = proportional servo valves
<b>Technology</b>	R = rotating spool
<b>Version</b>	W = flow control
<b>Electronics</b>	D = digital
<b>Model</b>	2 = compact DIN-RAIL
<b>Function</b>	3 = 3/3 ways
<b>Nominal diameter</b>	4 = 4 mm
<b>Command signal (setpoint)</b>	2 = 0-10 V
<b>FEEDBACK SIGNAL</b>	A = internal encoder
<b>Cable</b>	2F = cable 2 m straight

## Digital proportional servo valves - Series LR

Product code: LRWD2-34-2-A-2F



### DIMENSIONS

<b>Series</b>	L = proportional servo valves
<b>Technology</b>	R = rotating spool
<b>Version</b>	W = flow control
<b>Electronics</b>	D = digital
<b>Model</b>	2 = compact DIN-RAIL
<b>Function</b>	3 = 3/3 ways
<b>Nominal diameter</b>	4 = 4 mm
<b>Command signal (setpoint)</b>	2 = 0-10 V
<b>FEEDBACK SIGNAL</b>	A = internal encoder
<b>Cable</b>	2F = cable 2 m straight