

Pressure microregulator Series M - Series M

Product code: M008-R25-VS

Datasheet creation date: 10/03/2025 00:44

Check the most updated document online [click here](#)

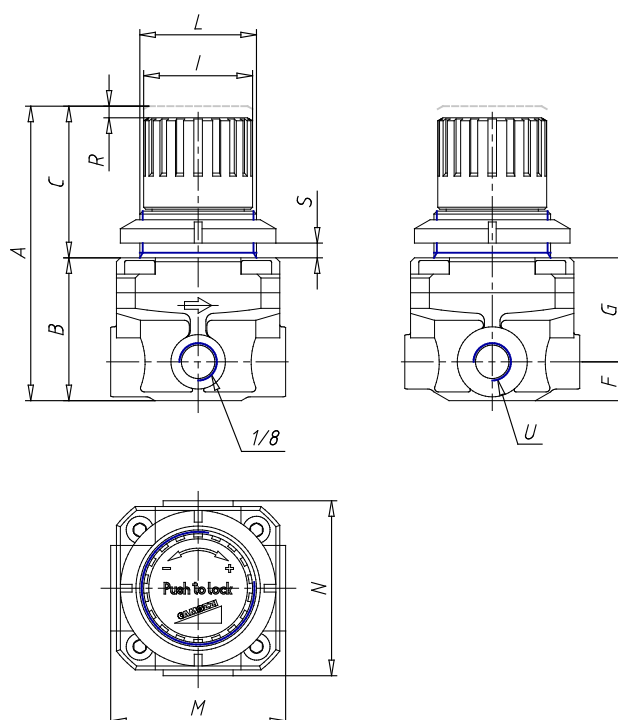


TECHNICAL DATA

| | |
|---------------|-------------|
| Mod. | M008-R25-VS |
| R (mm) | 3 |
| U | G1/8 |

Pressure microregulator Series M - Series M

Product code: M008-R25-VS



DIMENSIONS

| | |
|---------------|--------|
| A (mm) | 76 |
| B (mm) | 37 |
| C (mm) | 39 |
| F (mm) | 10 |
| G (mm) | 27 |
| I (mm) | 28 |
| L | 30x1.5 |
| M (mm) | 45 |
| N (mm) | 45 |