

## - Pressure gauges for panel mounting

Product code: M043-F10

Datasheet creation date: 07/03/2025 16:07

Check the most updated document online [click here](#)

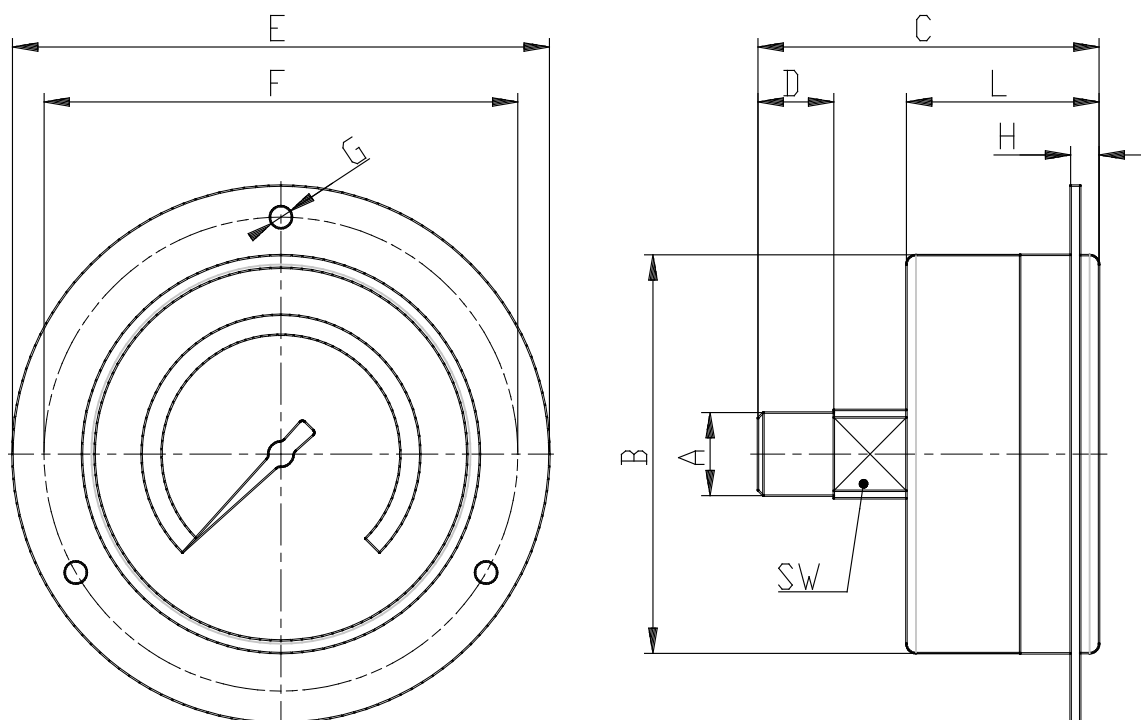


### ■ TECHNICAL DATA

|      |          |
|------|----------|
| Mod. | M043-F10 |
|------|----------|

## - Pressure gauges for panel mounting

Product code: M043-F10



### DIMENSIONS

|                |          |
|----------------|----------|
| <b>A</b>       | R1/8     |
| <b>B (mm)</b>  | 40.500   |
| <b>C (mm)</b>  | 43.000   |
| <b>D (mm)</b>  | 10.000   |
| <b>E (mm)</b>  | 61.000   |
| <b>F (mm)</b>  | 51.000   |
| <b>G (mm)</b>  | 3.500    |
| <b>H (mm)</b>  | 4.000    |
| <b>L (mm)</b>  | 27.000   |
| <b>SW (mm)</b> | 12.000   |
| <b>R (bar)</b> | 0-10 bar |