

- Pressure gauges for panel mounting

Product code: M063-F12

Datasheet creation date: 07/03/2025 16:08

Check the most updated document online [click here](#)

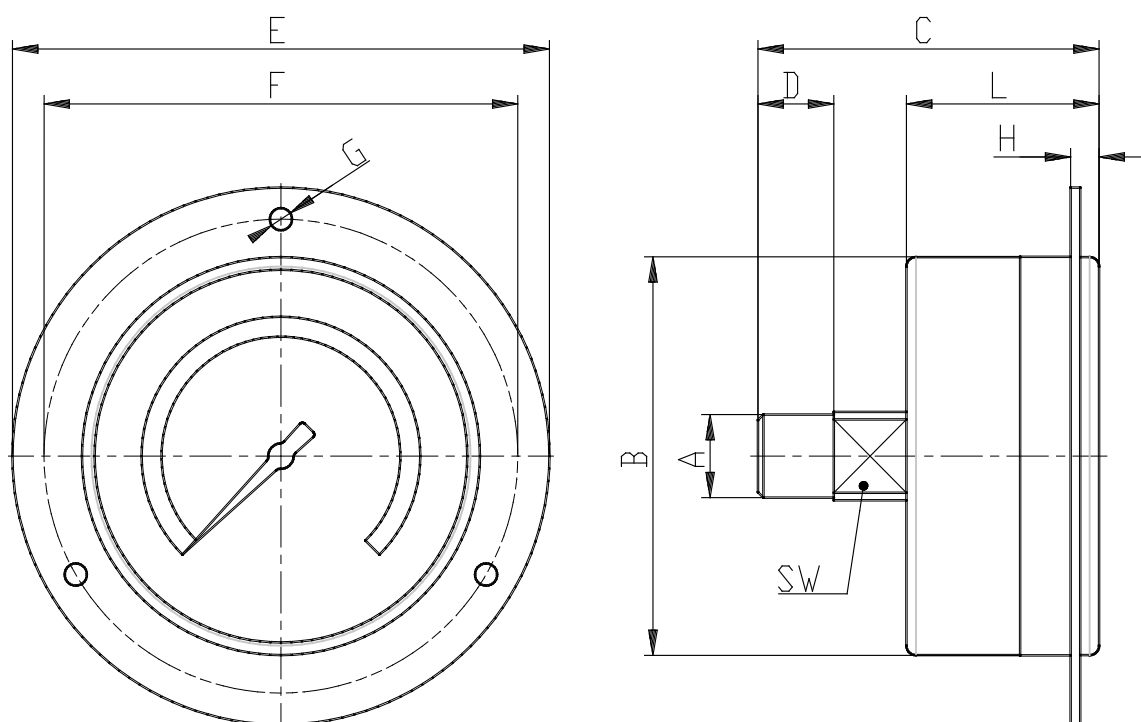


■ TECHNICAL DATA

| | |
|------|----------|
| Mod. | M063-F12 |
|------|----------|

- Pressure gauges for panel mounting

Product code: M063-F12



DIMENSIONS

| | |
|----------------|----------|
| A | R1/4 |
| B (mm) | 63.000 |
| C (mm) | 54.000 |
| D (mm) | 12.000 |
| E (mm) | 85.000 |
| F (mm) | 75.000 |
| G (mm) | 3.500 |
| H (mm) | 4.500 |
| L (mm) | 30.500 |
| SW (mm) | 14.000 |
| R (bar) | 0-12 bar |