

Assembly screws VMD - Series MC

Product code: MC1-VMD

Datasheet creation date: 07/03/2025 16:06

Check the most updated document online [click here](#)

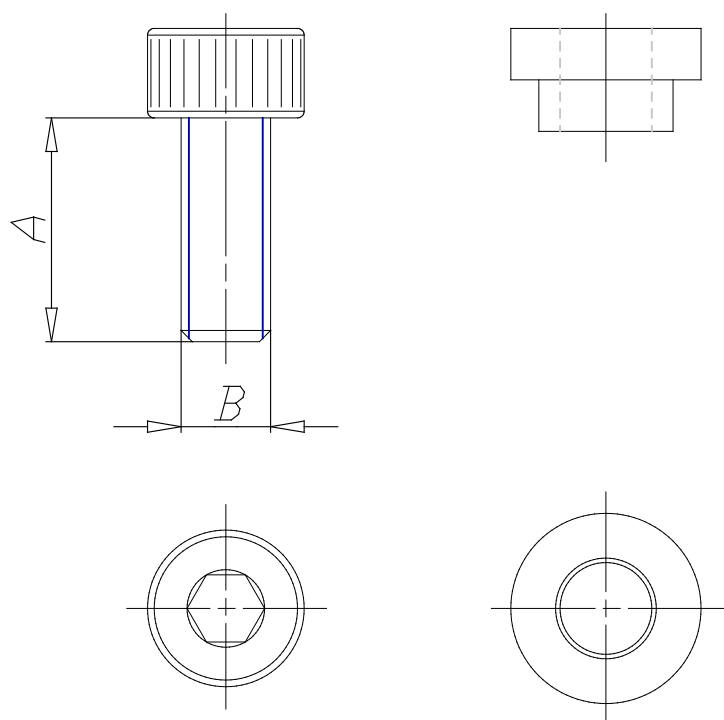


TECHNICAL DATA

Mod.	MC1-VMD
------	---------

Assembly screws VMD - Series MC

Product code: MC1-VMD



DIMENSIONS

A (mm)	10
B	M4
Size (mm)	1