

## Terminal flanges - Series MC

Product code: MC104-FL

Datasheet creation date: 07/03/2025 16:06

Check the most updated document online [click here](#)

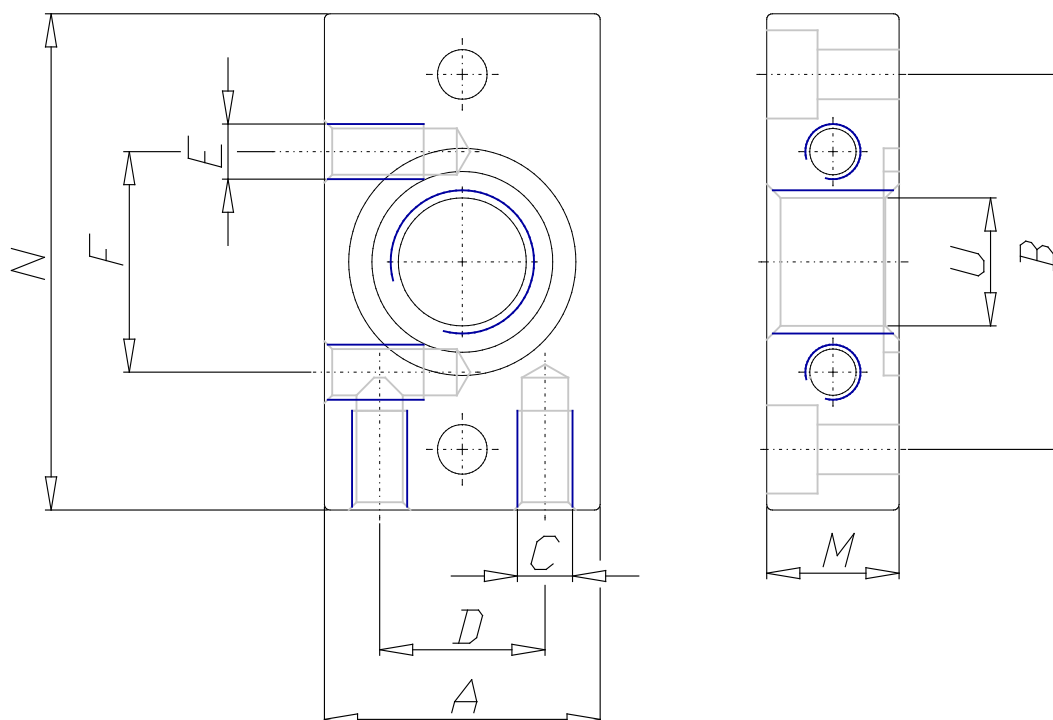


### TECHNICAL DATA

Mod.	MC104-FL
------	----------

## Terminal flanges - Series MC

Product code: MC104-FL



### DIMENSIONS

<b>A (mm)</b>	25
<b>B (mm)</b>	34.0
<b>C</b>	M5
<b>D (mm)</b>	15
<b>E (mm)</b>	M5
<b>F (mm)</b>	20
<b>N (mm)</b>	45
<b>M (mm)</b>	12
<b>U</b>	G1/4
<b>Size</b>	1