

Assembly group FRL - Series MC

Product code: MC104-FRL-25-FL

Datasheet creation date: 10/03/2025 00:46

Check the most updated document online [click here](#)

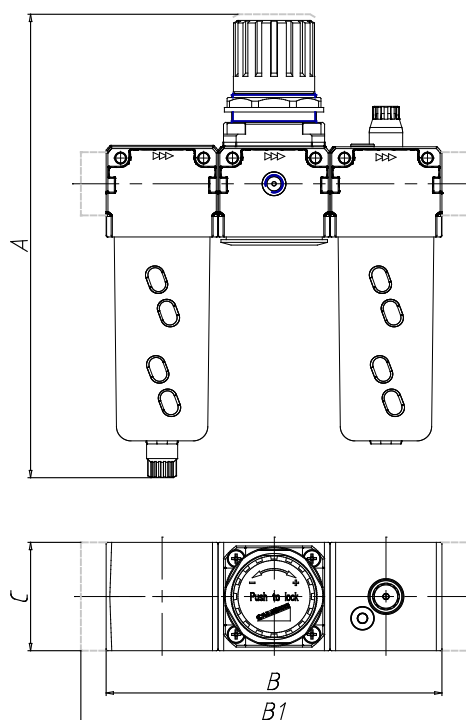


TECHNICAL DATA

Mod.	MC104-FRL-25-FL
------	-----------------

Assembly group FRL - Series MC

Product code: MC104-FRL-25-FL



DIMENSIONS

A (mm)	193.5
B (mm)	-
B1 (mm)	159
C (mm)	45
Flow rate NI/min	1450