

## Assembly group N - Series MC

Product code: MC104-N-25-FL

Datasheet creation date: 10/03/2025 00:46

Check the most updated document online [click here](#)

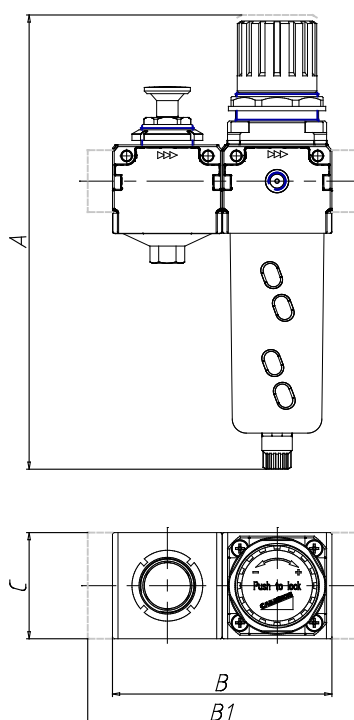


### TECHNICAL DATA

Mod.	MC104-N-25-FL
------	---------------

## Assembly group N - Series MC

Product code: MC104-N-25-FL



### DIMENSIONS

<b>A (mm)</b>	193.5
<b>B (mm)</b>	-
<b>B1 (mm)</b>	114
<b>C (mm)</b>	45
<b>Flow rate NI/min</b>	1450