

Regulators - Series MC

Product code: MC104-R10

Datasheet creation date: 10/03/2025 00:52

Check the most updated document online [click here](#)

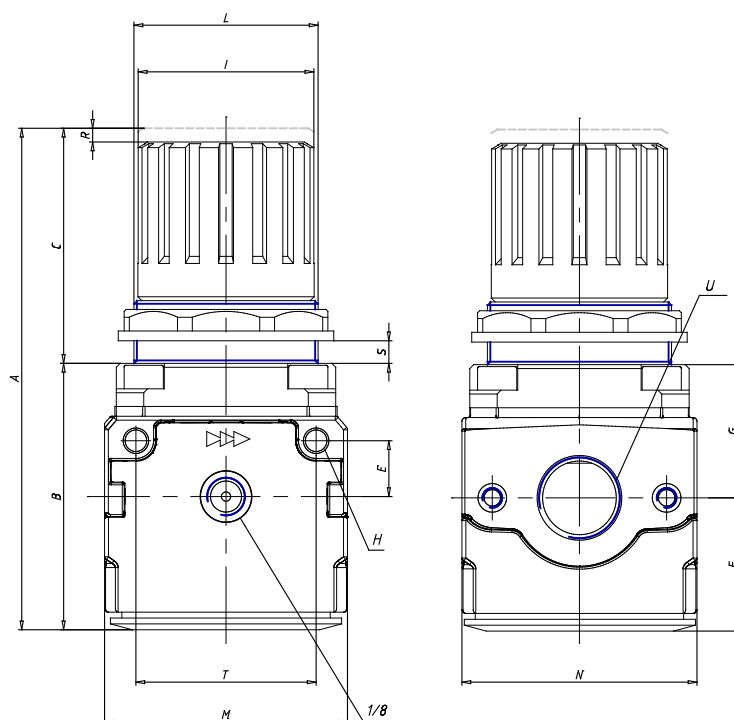


TECHNICAL DATA

| | |
|------|-----------|
| Mod. | MC104-R10 |
| U | G1/4 |

Regulators - Series MC

Product code: MC104-R10



DIMENSIONS

| | |
|---------------|--------|
| A (mm) | 94 |
| B (mm) | 56 |
| C (mm) | 38 |
| E (mm) | 11 |
| F (mm) | 28.5 |
| G (mm) | 27.5 |
| H (mm) | 4.5 |
| I (mm) | 28 |
| L | 30x1.5 |
| M (mm) | 45 |
| N (mm) | 45 |
| R (mm) | 3.0 |
| S | 0:6 |
| T (mm) | 35 |