

## Filter-regulators - Series MC

Product code: MC202-D03-4

Datasheet creation date: 10/03/2025 00:49

Check the most updated document online [click here](#)

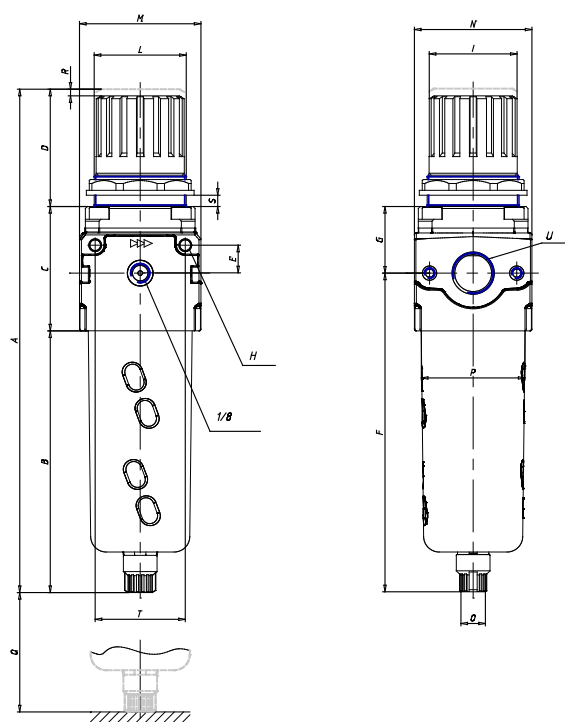


### TECHNICAL DATA

|      |             |
|------|-------------|
| Mod. | MC202-D03-4 |
| U    | G1/2        |

## Filter-regulators - Series MC

Product code: MC202-D03-4



### DIMENSIONS

|               |        |
|---------------|--------|
| <b>A (mm)</b> | 256.5  |
| <b>B (mm)</b> | 133    |
| <b>C (mm)</b> | 64     |
| <b>D (mm)</b> | 59     |
| <b>E (mm)</b> | 14     |
| <b>F (mm)</b> | 162.0  |
| <b>G (mm)</b> | 35.0   |
| <b>H (mm)</b> | 5.5    |
| <b>I (mm)</b> | 45     |
| <b>L</b>      | 47x1.5 |
| <b>M (mm)</b> | 62     |
| <b>N (mm)</b> | 59     |
| <b>O</b>      | G1/8   |
| <b>P (mm)</b> | 53     |
| <b>Q (mm)</b> | 72     |
| <b>R (mm)</b> | 3.5    |
| <b>S</b>      | 0:9    |
| <b>T (mm)</b> | 46     |