

Isolation valve 3/2 electric/pneumatic MC - Serie MC

Product code: MC202-V16

Datasheet creation date: 10/03/2025 00:53

Check the most updated document online [click here](#)

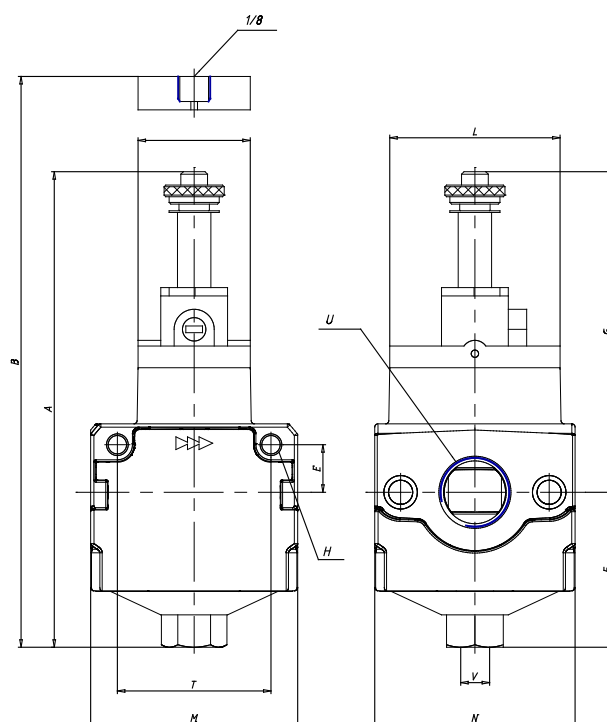


TECHNICAL DATA

Mod.	MC202-V16
U	G1/2

Isolation valve 3/2 electric/pneumatic MC - Serie MC

Product code: MC202-V16



DIMENSIONS

A (mm)	142.5
B (mm)	-
E (mm)	14
F (mm)	46.5
G (mm)	96
H (mm)	5.5
I (mm)	33.5
L (mm)	51
M (mm)	62
N (mm)	60
T (mm)	46
V	G1/4