

Terminal flanges - Series MC

Product code: MC238-FL

Datasheet creation date: 07/03/2025 16:06

Check the most updated document online [click here](#)

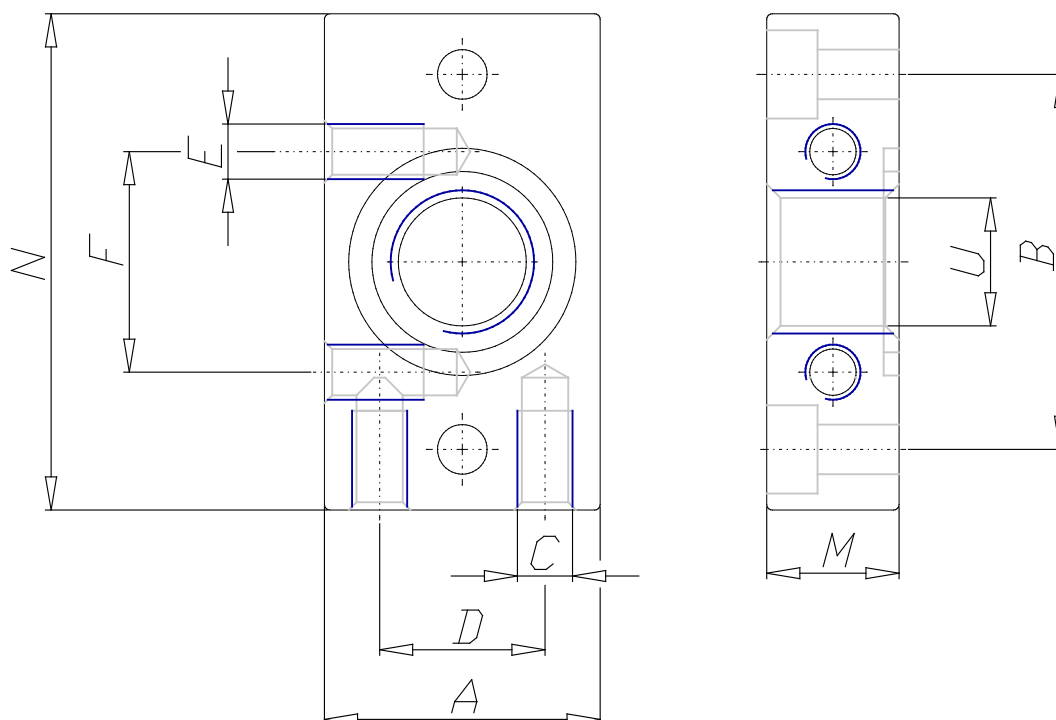


TECHNICAL DATA

Mod.	MC238-FL
------	----------

Terminal flanges - Series MC

Product code: MC238-FL



DIMENSIONS

A (mm)	35
B (mm)	44.5
C	M5
D (mm)	20
E (mm)	-
F (mm)	0
N (mm)	60
M (mm)	14
U	G3/8
Size	2