

Assembly group FRL - Series MC

Product code: MC238-FRL-25

Datasheet creation date: 10/03/2025 00:47

Check the most updated document online [click here](#)

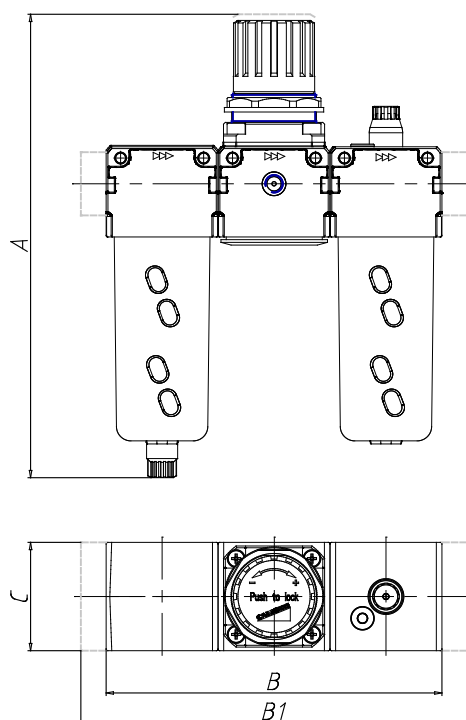


TECHNICAL DATA

Mod.	MC238-FRL-25
------	--------------

Assembly group FRL - Series MC

Product code: MC238-FRL-25



DIMENSIONS

A (mm)	256.5
B (mm)	186
B1 (mm)	-
C (mm)	60
Flow rate NI/min	4800