

## Assembly group N - Series MC

Product code: MC238-N-5-FL

Datasheet creation date: 10/03/2025 00:48

Check the most updated document online [click here](#)

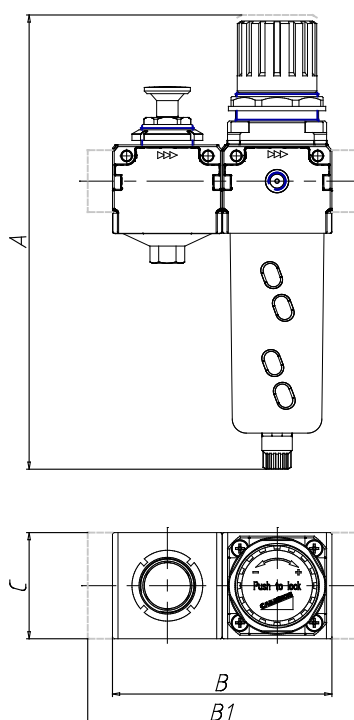


### TECHNICAL DATA

Mod.	MC238-N-5-FL
------	--------------

## Assembly group N - Series MC

Product code: MC238-N-5-FL



### **DIMENSIONS**

<b>A (mm)</b>	256.5
<b>B (mm)</b>	-
<b>B1 (mm)</b>	152
<b>C (mm)</b>	60
<b>Flow rate NI/min</b>	4800