

## Regulators - Series MC

Product code: MC238-R00

Datasheet creation date: 10/03/2025 00:52

Check the most updated document online [click here](#)

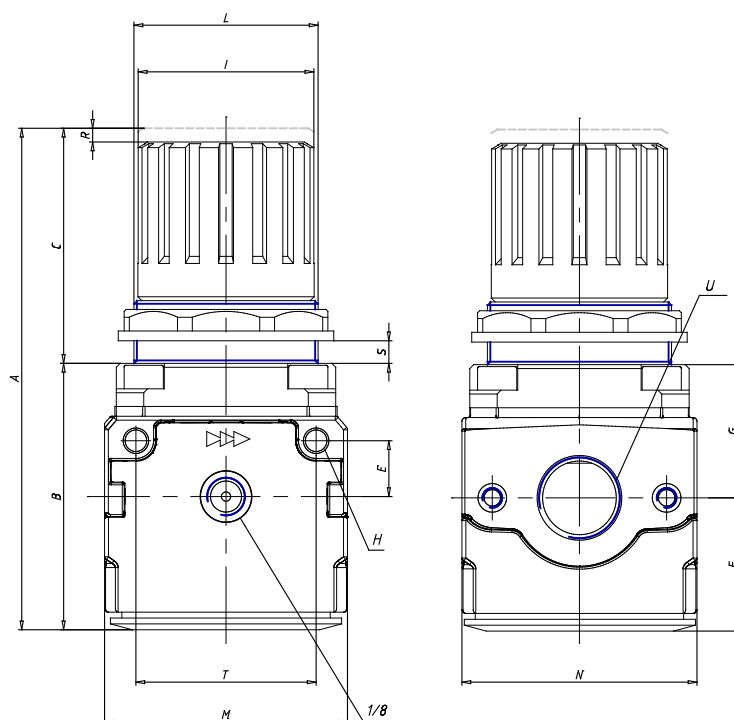


### TECHNICAL DATA

Mod.	MC238-R00
U	G3/8

## Regulators - Series MC

Product code: MC238-R00



### DIMENSIONS

<b>A (mm)</b>	127
<b>B (mm)</b>	67
<b>C (mm)</b>	60
<b>E (mm)</b>	14
<b>F (mm)</b>	34.0
<b>G (mm)</b>	35.0
<b>H (mm)</b>	5.5
<b>I (mm)</b>	45
<b>L</b>	47x1.5
<b>M (mm)</b>	62
<b>N (mm)</b>	60
<b>R (mm)</b>	3.5
<b>S</b>	0:9
<b>T (mm)</b>	46