

## Valves - Series MCU

Product code: MCU 702-M5

Datasheet creation date: 10/03/2025 12:13

Check the most updated document online [click here](#)

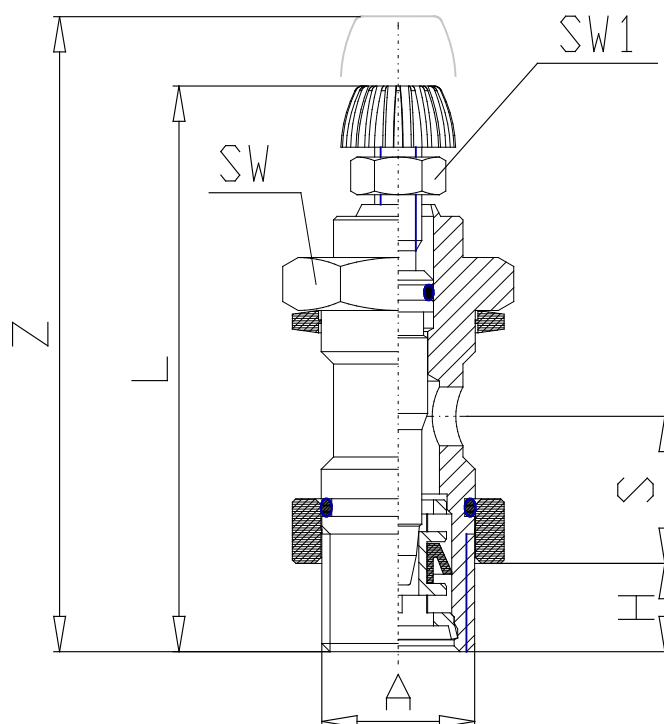


### TECHNICAL DATA

Mod.	MCU 702-M5
------	------------

## Valves - Series MCU

Product code: MCU 702-M5



### **DIMENSIONS**

<b>A</b>	M5
<b>H (mm)</b>	3.5
<b>L (mm)</b>	31.0
<b>S (mm)</b>	5.5
<b>SW (mm)</b>	8
<b>SW1 (mm)</b>	5.5
<b>Z (mm)</b>	35.0