

Series MD soft start valves - Series MD

Product code: MD1-AV

Datasheet creation date: 10/03/2025 00:53

Check the most updated document online [click here](#)

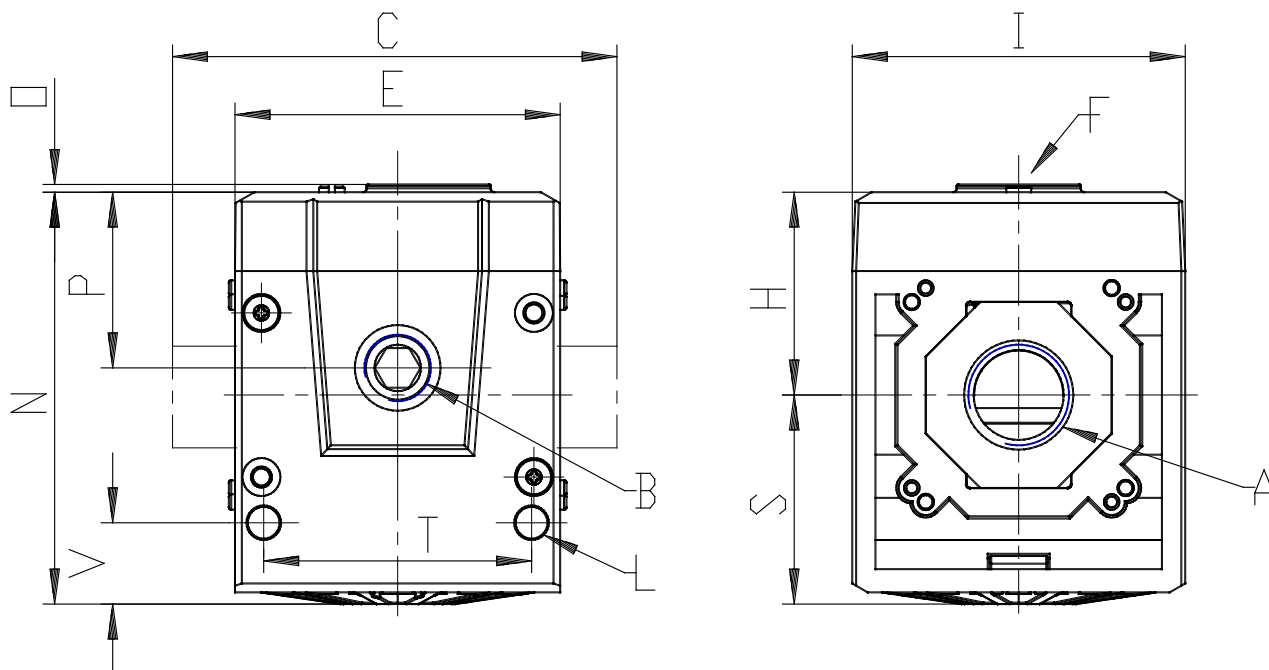


TECHNICAL DATA

Series	MD
dimension (mm)	1 = 42 mm
Soft start valves	AV = Avviatore progressivo
Connection type	NPTF
ports	-
ports	

Series MD soft start valves - Series MD

Product code: MD1-AV



DIMENSIONS

A	-
B	G 1/8
C (mm)	42.0
E (mm)	42
F (mm)	28,5
H	26.2
I (mm)	43
L (mm)	Ø4
N (mm)	53.2
O (mm)	2.5
P (mm)	22.7
S (mm)	27.0
T (mm)	34.6
V (mm)	10.5
Weight (kg)	0.2