

Take-off blocks - Series MD

Product code: MD1-B00

Datasheet creation date: 10/03/2025 01:05

Check the most updated document online [click here](#)

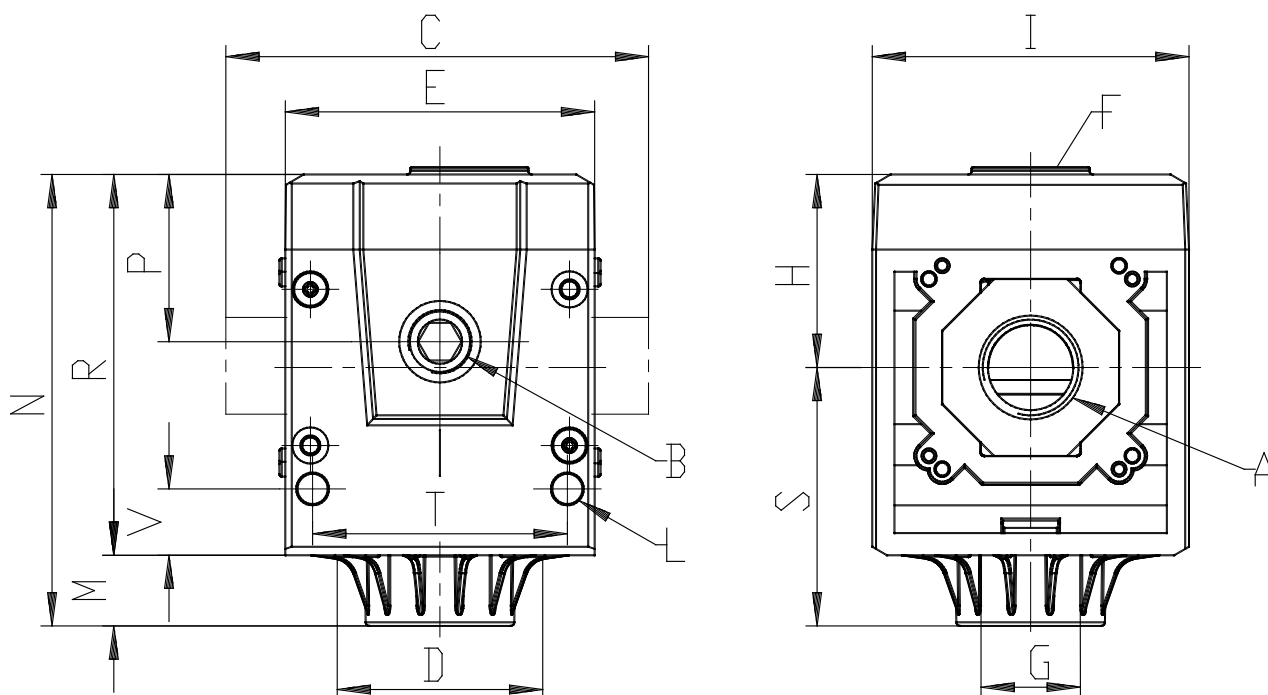


TECHNICAL DATA

Series	MD
dimension (mm)	1 = 42 mm
Take-off blocks	B = Blocco di derivazione
Construction type	00 = Standard outlet
Connection type	GAS
ports	-
ports	

Take-off blocks - Series MD

Product code: MD1-B00



DIMENSIONS

A	-
B	G 1/8
C (mm)	42.0
D (mm)	28.5
E (mm)	42
F	G1/8
G	G1/8
H (mm)	26.2
I (mm)	43
L (mm)	Ø4
M (mm)	9,5
N (mm)	61.2
P (mm)	22.7
R (mm)	51.7
S (mm)	35.1
T (mm)	34.6
V (mm)	9.0
Weight (kg)	0.2