

Filters - Series MD

Product code: MD1-F000

Datasheet creation date: 10/03/2025 00:56

Check the most updated document online [click here](#)

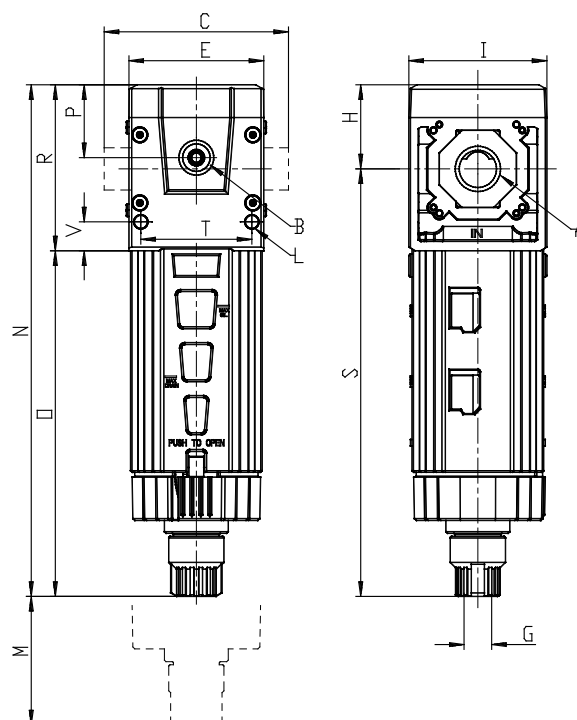


TECHNICAL DATA

Series	MD
dimension (mm)	1 = 42 mm
filter	Filter
Filter element	0 = 25µm
DRAINING OF CONDENSATE	0 = semi-automatic manual
VISUAL BLOCKAGE INDICATOR	0 = non present
Connection type	-
PORTS (IN - OUT)*	
ports	

Filters - Series MD

Product code: MD1-F000



DIMENSIONS

A	-
B	G 1/8
C (mm)	42
E (mm)	42
G	G1/8
H	26.2
I (mm)	43
L (mm)	Ø4
M (mm)	90
N (mm)	159.4
O (mm)	107.7
P (mm)	22.7
R (mm)	51.7
S (mm)	133.2
T (mm)	34.6
V (mm)	9
Weight (kg)	0.2