

Series MD 3/2-way isolation - Serie MD

Product code: MD1-V01

Datasheet creation date: 10/03/2025 01:12

Check the most updated document online [click here](#)

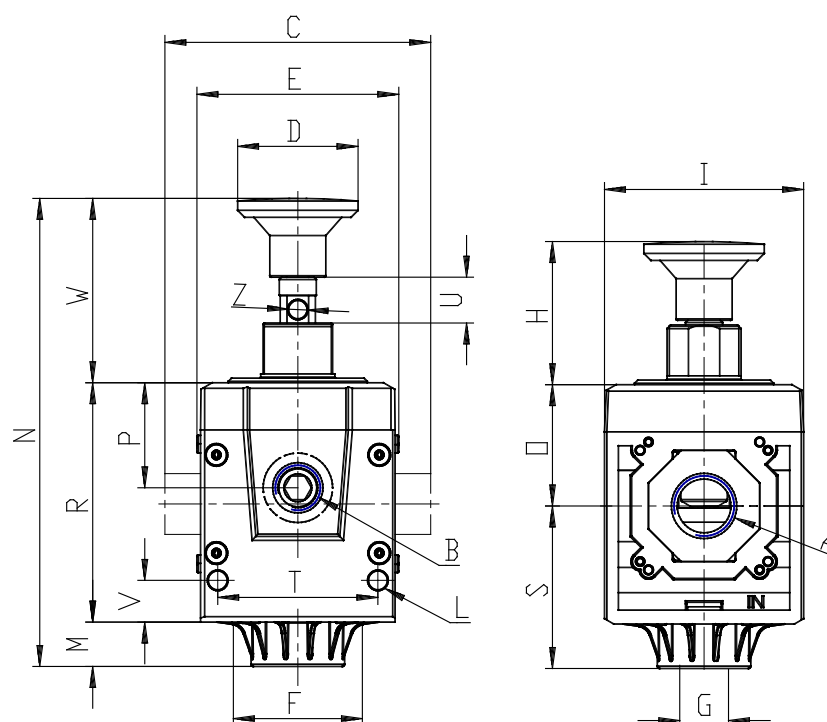


TECHNICAL DATA

Series (mm)	MD
dimension (mm)	1 = 42 mm
3/2-way valve	V = Valvola 3/2 vie
DESIGN TYPE	01 = lockable manual control
Connection type	-
PORTS (IN - OUT)	
ports	

Series MD 3/2-way isolation - Serie MD

Product code: MD1-V01



DIMENSIONS

A	-
B	G 1/8
C (mm)	42.0
D	Ø26
E (mm)	42
F (mm)	28,5
G	G1/8
H	31.0
I (mm)	43
L (mm)	Ø4
M (mm)	9.5
N (mm)	101.0
O (mm)	26.2
P (mm)	22.7
R (mm)	51.7
S (mm)	35.1
T (mm)	34.6
U (mm)	10
V (mm)	9.0
W (mm)	39.8
SW (mm)	
Z (mm)	Ø4
Weight (kg)	0.2