

## Pneumatic mini slides - Series MSN

Product code: MSN10-10

Datasheet creation date: 10/03/2025 02:28

Check the most updated document online [click here](#)

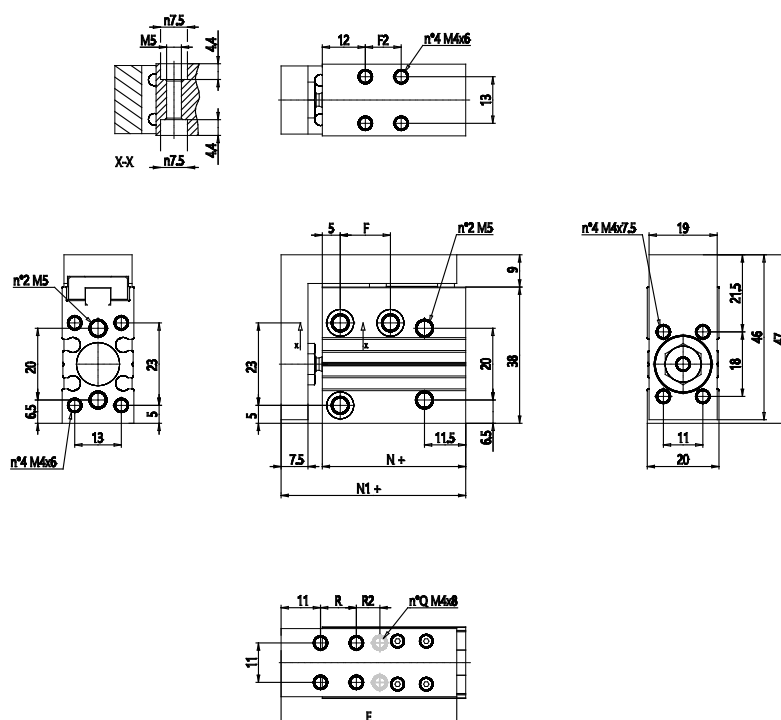


### TECHNICAL DATA

Series	MSN
Bore size (mm)	10

## Pneumatic mini slides - Series MSN

Product code: MSN10-10



### DIMENSIONS

F2 (mm)	15
F (mm)	14.000
R (mm)	10.000
R2 (mm)	-
E (mm)	49.000
N+ (mm)	45.0
N1+ (mm)	56.5
Q (mm)	4.000